

TFHC-K



台南總公司 台南市永康區三村一街220號
TEL : (06) 243-7397 FAX : (06) 243-6797

台中營業處
TEL : (04) 2496-0759 FAX : (04) 2496-5240

台北營業處
TEL : (02) 2695-4676 FAX : (02) 2695-7545

天福宏承密封有限公司

TFHC-K

SOG&H.T

天福宏承-液壓密封件

第七版



液壓密封件

SOG&H.T

TFHC-K

天福宏承密封元件



TFHC-K

嵩贊油封工業股份有限公司

SO GIANT OIL SEAL INDUSTRIAL CO., LTD.

Customer Concept Competition
顧客至上 觀念領導 競爭成長



Full Range
Fast Delivery
Easy Price

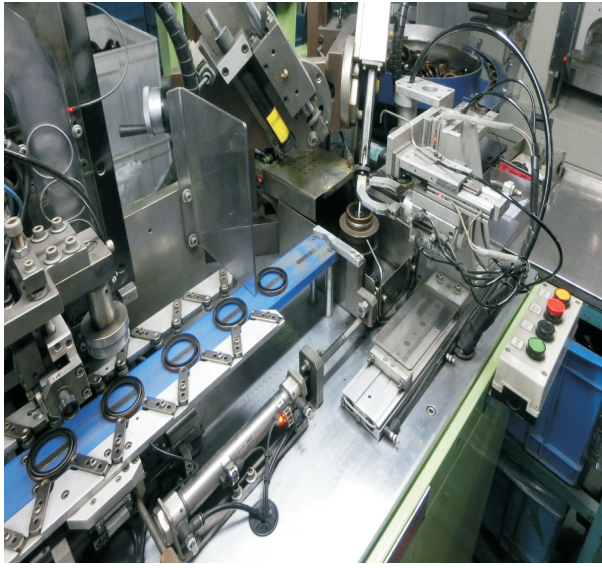


SOG&H.T

天福宏承密封元件

TFHC-K

ISO 9001
 ISO 14001
 ISO 18001
 IATF16949
 OHSAS 18001
 TOSHMS:2007
 LRQA Certificate



SOG&H.T

天福宏承密封元件

TFHC-K

快速， 質量和 效能 應用

As natural resources become increasingly scarce, the world's appetite for them still keeps growing. We develop innovations that have a positive impact on society, while helping our customers save energy, reduce emissions and improve efficiency. We call this our Blue Dimension. Explore our solutions from space to seabed. Visit our showroom. The world of Tsae Sheng at WWW.SHDNSF.COM



液壓缸專用油封



SOG&H.T

天福宏承密封元件



汽車工業 (Automotive Industry)

符合各項汽車材料規範，如DBL, FORD, GMW, VW2.8.1等汽車規範。

Our material meets all kinds of automotive specification, such as DBL, FORD, GWM, and VW 2.8.1 standards.



化工產業 (CPI)

提供符合耐化性非常好的橡膠材料。FFKM, AFLAS, ETP, FKM, EPDM

Offers outstanding resistance to aggressive media such as hot organic and inorganic acids, such as FFKM, AFLAS, ETP, and FKM.



石油與天然氣 (Oil & Gas)

提供可符合RGD H2S 的產品，供鑽油井相關產業使用。

Provides material meets RGD requirement and standard H2S environment, especially for drilling industry.



消費性產品 (Consumer Product)

多樣性的產品選擇，如廚房用品、鍵盤、錶帶等消費品。

There are Various materials selection, like Kitchen Ware, Keyboard, and Watch Band.



航太工業 (Aerospace)

提供耐高低溫，且耐航空燃油的橡膠材料，如FVMQ, FKM等材料。

Offers High and Low temperature and aerospace fuel resistance rubber product, like FVMQ and FKM.



重工業制品 (Heavy-duty Industry)

用於挖土機、堆高機等產業。已被客戶廣泛使用於耐高壓油封及V型環等產品。

Already widely used in equipment for construction, our rubber mainly for Oil Seal, V-ring, and hydraulic rubber parts.



食品及飲料 (Food & Beverages)

提供符合食品FDA及各國飲用水WRAS, KTW, ACS, KIWA, NSF等飲用水認證。

Provides material certified by FDA, WARS, KTW, ACS, KIWA, and NSF for drinking water application.



鐵路系統 (Rail Transportation)

即將成為鐵路產業的全解決方案提供者，例如煞車系統與傳動系統。

A rail transportation total solution provider, including breaking system and transmission system.



制藥工業 (Pharma)

每一批矽膠材料都有通過USP Class VI。

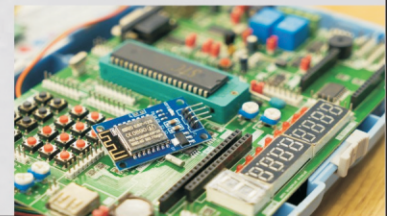
Our silicone rubber for medical purpose with USP Class VI certified, and done ISO-10993 selected chapter for every batch.



半導體產業 (Semiconductor)

提供FFKM, FKM, AFLAS, FVMQ橡膠材料生產Bonding Slit Valve Door及O型環應用在半導體產業。

We provides such as FFKM, FKM, AFLAS, and FVMQ rubber, widely used in semiconductor manufacturers.





全面品質管制

配合全廠品檢取樣輸送設備，品檢人員能夠落實每一批生產膠料，進行全面品檢再行出貨，提供穩定性極佳的膠料。

為符合客戶對品質的各項要求，從原物料到出貨的各項品質管制，滿足客戶對於高品質混練橡膠的各項要求。



長泓提供



Quality Control

To offer excellent rubber products and guarantee quality of every batch, our quality control department will follow from incoming to final process of quality control.

As mentioned quality process, we performs hardness (IRHD, Shore A), Rheometers, density, compound dispersion, physical property tests.



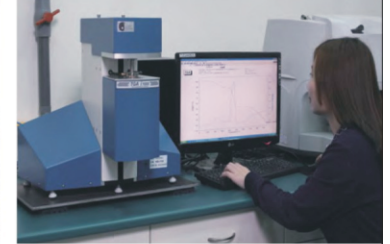


材料研發

我們不斷地投資研發設備如：DSC、TMA、TGA、FTIR、GC/MAS and XRF(RoHS) 等分析儀器，並垂直整合上下游原物料，由專業研發團隊共同投入研發出更先進的橡膠材料，提供給每一位優質客戶。

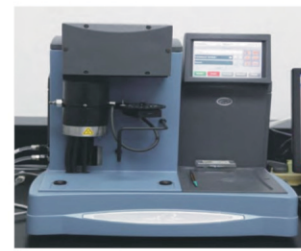


長泓提供



Material Development

To supply customer excellent and stable rubber, we already equip DSC, TMA, TGA, FTIR, GC/MAS, and XRF (RoHS) analytical Instruments. Our R&D department keeps increasing budget on the latest instruments. We develop advanced material with supply chain to our valued customer.



TAF 實驗室

我們擁有專業的實驗室並取得國際認證TAF(ISO 17025)證書，完整的測試設備並可以符合美國ASTM, 歐洲ISO, 日本JIS, 德國DIN橡膠標準。具備公信力的實驗數據，幫助客戶更快速取得國際客戶對於橡膠的嚴格要求，提供客戶最值得信賴的各項技術資料。



長泓提供



TAF Laboratory



Testing Laboratory
1050

We have a professional TAF (ISO17025) certificated laboratory.

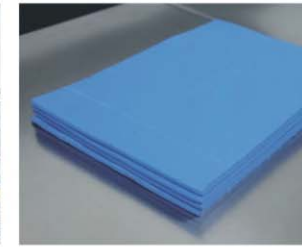
Our testing equipment conform to ASTM, ISO, JIS, and DIN rubber standards. Creditable testing data helps customer to stand strictly standard. Your request is our duty.





FKM預混膠生產線

由於極地氣候影響，全球對於橡膠的需求日漸嚴苛，透過上下游供應鍊的整合，由專業團隊針對國內外客戶對於FKM材料提供如渦輪增壓管，O型圈等產品，更進一步研發極低溫的FKM材料及全氟膠料，全面符合客戶需求，並能依客戶屬性獨立研發適合客戶製程的氟橡膠材料。



FKM Production-line

Upstream and downstream supply chain integration, Our team design FKM materials for application such as Turbo Charge Horse (TCH), O-ring, Oil-seals, boots...etc. We are working on ultra-low temperature FKM, and FFKM formulation to fulfill customer's requirements.



自動化劑量系統

針對汽車工業，航太客戶對於材料追溯能力的要求，我們投入了自動倉儲及劑量系統，大大提升作業流程及混煉膠品質穩定性，先進的ERP電腦系統及條碼系統，滿足客戶對於橡膠控管要求並能安心使用我們的混練膠。



Auto-dosing System

Trace ability plays an important role in automotive and aerospace industry. We invested auto-dosing system to simplify processing and improve quality tremendously. Advanced ERP and Barcode system, relieve customers' quality concern. Our quality is your safety.



序言

台灣天福宏承密封有限公司為油壓、空壓、旋轉密封件之專業密封件整合供應商

此文本主要介紹TFHC-K出品，SOG&HT 製造的骨架油封O/X型圈 PU / PTFE / FFKM 與橡膠客製化製品適泛用於汽/機車 電動車軌道交通海事航天設備油/煉鋼重工/工程機械 AI/電子設備之密封應用

“品質至上、快速服務、唯新產品”是我們的服務方向
“貫徹服務、技術創新、永續經營”是我們的經營理念

我們以先進的生產技術，嚴格的品管制度完善的售後服務來滿足國內外各產業的生產配套經銷維修客戶群需求，志要為每個客戶夥伴們提供一流的密封技術，作為產業界可依賴的主供應商，優質的產品將產出於優質的工作環境，我們對產品、員工、廠區的自主要求，我們符合IATF-16949品質認證要求的產品質量，我們符合ISO-14000環境管理系統標準的作業環境，我們符合OHSAS-18000職業安全衛生管理體系的廠區

本文目錄內提供的型號規格及尺寸，可作為分銷商銷售參考與直接使用終端客戶的機械設計與實際安裝參考指南，我們陸續引進台灣及國外的高階工業密封產品與技術，尤其在非標準品，急件或產品取代，我們可以依客戶樣品或圖面做加工，我們最大加工直徑可達1500mm，最大加工尺寸可達4000mm。

目錄內摘錄的型號規格及尺寸，是市場通用件我司所能生產提供的產品與規格，並不局限於目錄中的型號與尺寸，若有目錄中無刊登記載的型號或尺寸，請直接和本公司業務人員聯絡我們將盡快為您服務！

Preface

Taiwan TFHC-K Seal Co., Ltd. is an experienced supplier of integration sealing element for hydraulic, pneumatic and rotation machinery.

This catalog mainly introduces the SOG&HT brand oil seal, O / X ring, PU / PTFE / FFKM and rubber compound customized products distributed by TFHC-K. Our product is suitable for use in automobile / motorcycle, electric vehicle, rail transportation, marine equipment, aerial equipment, petrochemical, steelmaking, heavy industry, earth moving equipment, AI / Electronics equipment applications.

"Quality comes first. Fast service. Latest products" is our service direction "Performing services. Technical innovation. Sustainable business" is our business philosophy.

We use advanced production technology, strict quality control system and perfect after-sales service to meet the needs of production, distribution, and maintenance customer groups in various industries at home and abroad. Aiming to act as the main reliable supplier, we provide first-class sealing technology to every customer partner. High-quality products will be produced in a high-quality working environment, so

Our product quality meets IATF-16949 quality certification
Our operating environment complies with ISO-14000 environmental management system standards
Our factory is in accordance with OHSAS-18000 occupational safety and health management system

The tool list in type and size printed in this catalog provide multifunction purpose for seals distributors, engineers of RD department and reference for installation of workshop. We continued in importing high-end industrial sealing products and technologies from Taiwan and abroad, especially for non-standard products, urgent requirement and replacement parts or products. We can process according to customer samples or drawings. Our maximum processing diameter can reach 1500mm and the maximum processing size can reach 4000mm.

The products and specifications that our company can produce and provide are not limited to the list in the catalog. If there are models or sizes not listed in the catalog, please contact our company directly. Contact us and we will serve you as soon as possible!



鄧白氏獎



2019年，「鄧白氏中小企業菁英獎」邁入第六屆
依據鄧白氏全球資料庫數據資料，從國內超過130萬家中小企業中，評選出最具出口競爭力的 **TOP 1000**家企業
恭喜 我司獲選為2019年，「鄧白氏中小企業菁英獎」**TOP 1000**菁英企業
衷心期盼您的蒞臨，一同迎接全球市場與創新思維，共創世界經濟永續

產品目錄

活塞及活塞桿專用密封件

	UN type	材質： TPU / 8L953 硬度： 93 Shore A	P02 - P20
	D-4 type	材質： TPU / 8L953 硬度： 93 Shore A	P21 - P22
	D-6 type	材質： TPU / 8L953 + NBR 硬度： 93 Shore A	P23 - P26
	D-7 type	材質： TPU / 8L953 硬度： 93 Shore A	P27 - P28

活塞專用密封件

	D-1 type	材質： TPU / 8L95 硬度： 95 Shore A	P30 - P33
	D-8 type	材質： TPU / 8L95 + PA 硬度： 95 Shore A	P34 - P35

活塞桿專用密封件

	D-2 type	材質： TPU / 8L95 硬度： 95 Shore A	P37 - P41
	D-3 type	材質： TPU / 8L95 硬度： 95 Shore A	P42 - P46

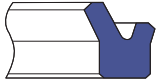





緩衝密封件

	D-10 type	材質： TPU / 8L95 + PA 硬度： 95 Shore A	P48 - P49
---	-----------	---------------------------------------	-----------

旋轉密封件

	D-14 type	材質： TPU / 8L95 硬度： 95 Shore A	P51 - P52
---	-----------	----------------------------------	-----------

往復用防塵密封件

	D-9 type	材質： TPU / 8L95 硬度： 95 Shore A	P54 - P55
	DH type	材質： TPU / 8L953 硬度： 93 Shore A	P56 - P58
	DH-03 type	材質： TPU / 8L953 硬度： 93 Shore A	P59 - P61
	DH-04 type	材質： TPU / 8L953 硬度： 93 Shore A	P62 - P63
	DH-05 type	材質： TPU / 8L953 硬度： 93 Shore A	P64 - P66
	DH-07 type	材質： TPU / 8L953 硬度： 93 Shore A	P67 - P68

往復用金屬骨架防塵密封件

	ME-1 type	材質： TPU / 8L95+ SPCC 硬度： 95 Shore A	P70 - P71
	ME-1N type	材質： TPU / 8L95+ SPCC 硬度： 95 Shore A	P72 - P73
	ME-2 type	材質： TPU / 8L95+ SPCC 硬度： 95 Shore A	P74 - P78
	ME-3 type	材質： TPU / 8L95+ SPCC 硬度： 95 Shore A	P79 - P80
	ME-4 type	材質： TPU / 8L95+ SPCC 硬度： 95 Shore A	P81 - P82
	ME-5 type	材質： TPU / 8L95+ SPCC 硬度： 95 Shore A	P83 - P84
	ME-8 type	材質： TPU / 8L95+ SPCC 硬度： 95 Shore A	P85 - P87

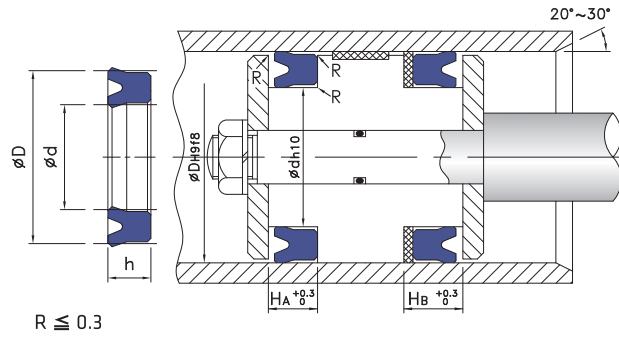


DingZing DZ[®] 活塞及活塞桿專用密封件

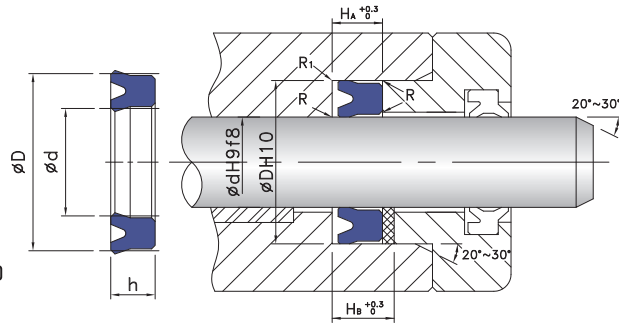
鼎基提供 4 款 DingZing DZ 活塞及活塞桿專用密封件：UN、D-4、D-6 和 D-7。這些質地堅硬的密封件適用於液壓缸的活塞和活塞桿，尺寸可選擇以英寸為單位。

活塞及活塞桿專用密封件

UN

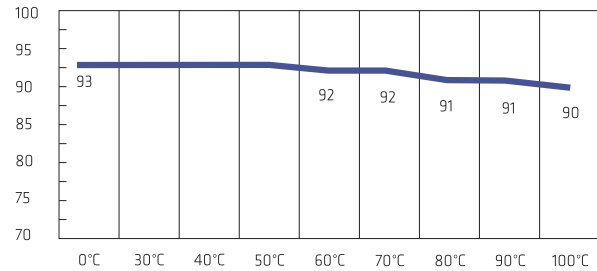


油缸內表面應作 $0.4\sim 3.2 \mu mR_{max}$ ($0.1\sim 0.8 \mu mRa$)的研磨或拋光

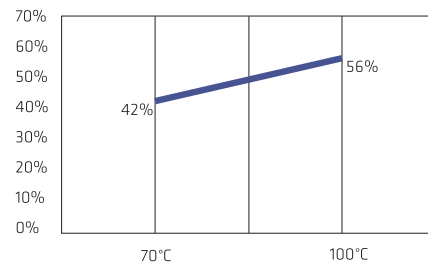


活塞桿表面應作 $0.8\sim 1.6 \mu mR_{max}$ ($0.2\sim 0.4 \mu mRa$)的拋光

硬度與溫度的關係表 (Shore A)



壓縮變形和溫度的關係表



材質物性

材質: TPU / 8L953

比重 (ASTM D792): 1.19

硬度 (ASTM D2240): 93

拉力強度 (ASTM D412): 276

100% 模數 (ASTM D412): 100

300% 模數 (ASTM D412): 191

70小時70°C的壓縮變形率

(ASTM D395B): 42

70小時100°C的壓縮變形率

(ASTM D395B): 56

工作條件

最大工作壓力: 30 Mpa

工作速度: 0.03 ~ 0.5 m/sec

工作溫度: -20°C ~ 100°C

耐油性

試驗用油: 耐磨耗液壓油46#

試驗溫度 (°C): 100

試驗時間 (小時): 100

硬度變化 (Shore A): 0

拉力強度變化 (%): -5

體積變化 (%): +0.12

品名	∅d	∅D	h	HA
UN	4	10	4	4.5
	4	11	5	6
	4	12	4	4.5
	4	12	5	6
	4	14	4	4.5
	4.5	9.5	4	4.5
	4.5	11	4.5	5
	4.5	11	5	5.5
	5	11	8	9
	5	12	4	4.5
	5	12	5	6
	5	12	5.5	6.5
	5	12	6	7
	5	12	8	9
	5	14	4.5	5.5
	5	14	6	7
	5	14	8	9
	5	16	6	7
	5	16	8	9
	6	10	4.2	4.5
	6	12	4	4.5
	6	12	5	6
	6	12	5.5	6.5
	6	12	6	7
	6	12	8	9
	6	13	5	6
	6	13	8	9
	6	13.5	5	6
	6	14	5	6
	6	14	6	7
	6	14	8	9
	6	15	6	7
	6	16	6	7
	6	16	8	9
	6.3	16.3	8	9
	7	15	6	7

品名	∅d	∅D	h	HA
UN	7.1	17.1	8	9
	8	12	5	6
	8	14	4	5
	8	14	6	7
	8	14	8	9
	8	15	6	7
	8	15	8	9
	8	16	4	5
	8	16	5	6
	8	16	5.7	6.3
	8	16	6	7
	8	16	8	9
	8	18	5	6
	8	18	7	8
	8	18	8	9
	8	19	8	9
	8	22	10	11
	9	16	6	7
	9	19	6	7
	9	19	8	9
	10	14	2.5	3
	10	14	4	5
	10	15	3	4
	10	16	4	5
	10	16	4.5	5.5
	10	16	5	6
	10	16	6	7
	10	16	8	9
	10	18	5	6
	10	18	5.5	6.5
	10	18	6	7
	10	18	8	9
	10	20	5	6
	10	20	6	7
	10	20	7	8
	10	20	8	9

品名	∅d	∅D	h	HA
UN	10	22	6	7
	10	22	8	9
	11	17	4	5
	11	17	4.5	5.5
	11.2	19.2	5	6
	11.2	21.2	8	9
	12	18	4	5
	12	18	4.5	5.5
	12	18	5	6
	12	18	6	7
	12	18	8	9
	12	19	5	6
	12	20	4	5
	12	20	5	6
	12	20	6	7
	12	20	7	8
	12	20	8	9
	12	22	5	6
	12	22	6	7
	12	22	7	8
	12	22	8	9
	12	24	6	7
	12	24	8	9
	12	25	8	9
	12	25	10	11
	12	26	4	5
	12	26	10	11
	12.5	22.5	8	9
	13	20	5	6
	13	21	5	6
	13	24	6	7
	14	20	4	5
	14	20	5	6
	14	20	6	7
	14	20	8	9
	14	21	5	6

品名	∅d	∅D	h	HA
UN	14	22	4	5
	14	22	5	6
	14	22	6	7
	14	22	8	9
	14	24	5	6
	14	24	8	9
	14	25	5.5	6.5
	14	25	8	9
	14	26	5	6
	14	28	10	11
	14	30	5	6
	15	21	4	5
	15	22	5	6
	15	22	6	7
	15	22	8	9
	15	23	5	6
	15	25	5	6
	15	25	6	7
	15	25	7	8
	15	25	8	9
	15	25	10	11
	15	26	5	6
	15	27	7	8
	15	30	8	9
	15	30	10	11
	15.4	25.5	6.5	7.5
	15.8	20	3	4
	16	22	4	4.5
	16	22	4.5	5.5
	16	22	5	6
	16	22	6	7
	16	22	7	8
	16	22	8	9
	16	24	4	5
	16	24	5	6
	16	24	6	7

品名	∅d	∅D	h	HA
UN	16	24	8	9
	16	24	9	10
	16	25	6	7
	16	26	5	6
	16	26	7	8
	16	26	8	9
	16	28	6	7
	16	30	5	6
	16	30	6	7
	16	32	8	9
	16	36	5	6
	17	25	5	6
	17	25	5.5	6.5
	17	26	6	7
	17	27	6	7
	17	30	6	7
	17	30	7	8
	18	22	8	9
	18	24	5	6
	18	24	8	9
	18	25	5	6
	18	25.5	5	6
	18	26	5	6
	18	26	6	7
	18	26	7	8
	18	26	8	9
	18	28	5	6
	18	28	7	8
	18	28	8	9
	18	30	6	7
	18	30	8	9
	18	30	10	11
	18	31	8	9
	18	32	7	8
	18	34	8	9
	18	38	6	7

品名	∅d	∅D	h	HA
UN	19	25	5	6
	19	25	6	7
	19	25	7	8
	19	34	8	9
	20	25	5	6
	20	26	3	4
	20	26	3.2	4
	20	26	3.3	4
	20	26	5	6
	20	26	6	7
	20	27	6	7
	20	28	4	5
	20	28	4.5	5.5
	20	28	5	6
	20	28	5.5	6.5
	20	28	6	7
	20	28	7	8
	20	28	8	9
	20	30	5	6
	20	30	6	7
	20	30	7	8
	20	30	8	9
	20	30	10	11
	20	31	8	9
	20	32	6	7
	20	32	7	8
	20	32	8	9
	20	33	5	6
	20	33	8	9
	20	33	10	11
	20	34.5	12	13
	20	35	7	8
	20	35	8	9
	20	35	10	11
	20	36	8	9
	20	37	12	13

品名	∅d	∅D	h	HA
UN	20	38	10	11
	20	40	8	9
	20	40	10	11
	20	40	12	13
	22	26	2.8	3.5
	22	28	4	5
	22	28	4.5	5.5
	22	28	6	7
	22	28	8	9
	22	29	5	6
	22	30	4	5
	22	30	4.5	5.5
	22	30	5	6
	22	30	6	7
	22	30	7	8
	22	32	5	6
	22	32	6	7
	22	32	7.2	8
	22	32	8	9
	22	32	10	11
	22	34	7	8
	22	34	10	11
	22	35	6	7
	22	35	7	8
	22	35	8	9
	22	35	10	11
	22	36	9	10
	22	38	8	9
	22	40	10	11
	22	40	12	13
	22.4	30	5	6
	22.4	32.4	8	9
	22.5	31.5	5	6
	22.7	33	5.3	6
	23	35	6	7
	23.5	31.5	5	6

品名	∅d	∅D	h	HA
UN	24	30	6	7
	24	32	4	5
	24	32	5	6
	24	32	6	7
	24	32	7	8
	24	34	5	6
	24	34	6	7
	24	34	7	8
	24	36	6	7
	24	36	8	9
	24	40	9	10
	25	30	6	7
	25	31	6	7
	25	32	4	5
	25	32	5	6
	25	32	7	8
	25	32	8	9
	25	33	5	6
	25	33	5.5	6.5
	25	33	6	7
	25	33	7	8
	25	33	8	9
	25	33	10	11
	25	35	5	6
	25	35	6	7
	25	35	7	8
	25	35	7.3	8
	25	35	8	9
	25	35	10	11
	25	36	6	7
	25	37	7	8
	25	38	8	9
	25	38	10	11
	25	40	6	7
	25	40	6.5	7.5
	25	40	7	8

品名	∅d	∅D	h	HA
UN	25	40	8	9
	25	40	10	11
	25	42	8	9
	25	43	8	9
	25	45	8	9
	25	45	10	11
	25	50	10	11
	25.4	30.2	6	7
	26	32	4.7	5.5
	26	36	8	9
	26	36	10	11
	26	38	8	9
	26	47	12	13
	27	35	5	6
	27	35	10	11
	27	36	6	7
	27	37	6	7
	28	35	5	6
	28	35	6	7
	28	35.5	5	6
	28	36	4	5
	28	36	5	6
	28	36	6	7
	28	36	7	8
	28	36	8	9
	28	36	10	11
	28	38	6	7
	28	38	7	8
	28	38	8	9
	28	38	10	11
	28	40	8	9
	28	40	10	11
	28	43	10	11
	28	44	8	9
	28	50	13	14
	30	36	8	9

品名	∅d	∅D	h	HA
UN	30	37	6	7
	30	37	8	9
	30	38	5	6
	30	38	5.7	6.3
	30	38	6	7
	30	38	7	8
	30	38	8	9
	30	40	5	6
	30	40	5.5	6.5
	30	40	6	7
	30	40	6.5	7.5
	30	40	7	8
	30	40	7.3	8
	30	40	8	9
	30	40	10	11
	30	42	6	7
	30	42	8	9
	30	42	9	10
	30	42	10	11
	30	43	6.5	7.5
	30	43.6	9.5	10.5
	30	44	5.5	6.5
	30	45	8	9
	30	45	9	10
	30	45	10	11
	30	46	10	11
	30	47	10	11
	30	48	8	9
	30	48	10	11
	30	50	9	10
	30	50	10	11
	30	50	11	12
	30	50	12	13
	30	52	10	11
	31	47	10	11
	31.5	41.5	6	7

品名	∅d	∅D	h	HA
UN	31.5	44.3	9.5	10.5
	31.5	46.5	10	11
	31.8	41.3	6.3	7
	32	39	8	9
	32	40	4	5
	32	40	5	6
	32	40	5.5	6.5
	32	40	6	7
	32	40	6.3	7
	32	40	8	9
	32	40	10	11
	32	42	6	7
	32	42	7	8
	32	42	8	9
	32	42	10	11
	32	44	6.3	7.3
	32	45	6	7
	32	45	8	9
	32	45	10	11
	32	46	10	11
	32	47	10	11
	32	48	8	9
	32	48	10	11
	32	50	10	11
	32.5	38	8	9
	33	39	8	9
	33	40	8	9
	33	42	8	9
	34	45	8	9
	34	50	12	13
	35	41	5	6
	35	42	10	11
	35	43	5	6
	35	43	6	7
	35	43	7	8
	35	44	7	8

品名	∅d	∅D	h	HA
UN	35	45	5	6
	35	45	6	7
	35	45	7	8
	35	45	8	9
	35	45	10	11
	35	46	6	7
	35	46	8	9
	35	46	10	11
	35	47	6	7
	35	47	7	8
	35	48	8	9
	35	48	10	11
	35	50	8	9
	35	50	9	10
	35	50	10	11
	35	51	10	11
	35	55	10	11
	35	55	12	13
	35.5	45	6	7
	35.5	50.5	10	11
	36	43	8	9
	36	44	4	5
	36	44	5.3	6
	36	44	6	7
	36	44	8	9
	36	45	6.5	7.5
	36	46	6	7
	36	46	7	8
	36	46	10	11
	36	48	4	5
	36	48	8	9
	36	48	10	11
	37	47	8	9
	37	47	10	11
	38	45	4.8	5.5
	38	45	5	6

品名	∅d	∅D	h	HA
UN	38	45	6.5	7.5
	38	45.5	6	7
	38	46	6	7
	38	48	6	7
	38	48	7	8
	38	48	8	9
	38	48	10	11
	38	50	6	7
	38	50	8	9
	38	50	9	10
	38	50	10	11
	38	51	10	11
	38	52	10	11
	38	55	10	11
	38	58	9.7	10.7
	38	58	10	11
	38	60	10	11
	38	62	12	13
	39	48	6.5	7.5
	39	54	10	11
	39	58	13	14
	40	48	5	6
	40	48	6	7
	40	48	8	9
	40	48	10	11
	40	48	11	12
	40	50	5	6
	40	50	6	7
	40	50	6.5	7.5
	40	50	7	8
	40	50	7.3	8
	40	50	8	9
	40	50	9	10
	40	50	10	11
	40	50	12	13
	40	52	7	8

品名	∅d	∅D	h	HA
UN	40	52	8	9
	40	52	10	11
	40	53	8	9
	40	55	7	8
	40	55	8	9
	40	55	10	11
	40	56	6	7
	40	57	7.5	8.5
	40	60	8	9
	40	60	10	11
	40	60	12	13
	40	63	13	14
	40	65	10	11
	40	65	12	13
	41	57	10	11
	41	61	10	11
	42	50	6	7
	42	50	8	9
	42	52	6	7
	42	52	8	9
	42	52	10	11
	42	53	9	10
	42	55	7	8
	42	55	8	9
	42	62	12	13
	43	53	7.5	8.5
	43	55	6	7
	44	50	8.5	9.5
	44.5	54.5	6	7
	45	52	8	9
	45	52	10	11
	45	53	5.3	6
	45	53	6	7
	45	53	8	9
	45	53	10	11
	45	55	5	6

品名	∅d	∅D	h	HA
UN	45	55	6	7
	45	55	6.5	7.5
	45	55	7	8
	45	55	7.5	8.5
	45	55	8	9
	45	55	9	10
	45	55	10	11
	45	55	12	13
	45	56	7	8
	45	56	10	11
	45	57.7	9.5	10.5
	45	58	10	11
	45	58	12	13
	45	60	9	10
	45	60	10	11
	45	60	12	13
	45	61	10	11
	45	63	8	9
	45	63	10	11
	45	63	12	13
	45	65	6	7
	45	65	8	9
	45	65	10	11
	45	65	12	13
	45	66	10	11
	45	70	12	13
	45	70	15.5	17.5
	45	70	16	18
	46	56	6	7
	46	56	8	9
	46	62	10	11
	47	55	10	11
	48	58	6	7
	48	58	8	9
	48	58	10	11
	48	60	6	7

品名	∅d	∅D	h	HA
UN	48	60	7.9	9
	48	63	10	11
	49.5	57	5	6
	50	57	10	11
	50	58	5.3	6
	50	58	6	7
	50	58	8	9
	50	58	10	11
	50	58	12	13
	50	60	5	6
	50	60	6	7
	50	60	6.5	7.5
	50	60	7	8
	50	60	8	9
	50	60	10	11
	50	60	12	13
	50	62	9	10
	50	62	9.5	10.5
	50	62	10	11
	50	62	12	13
	50	63	6	7
	50	63	6.5	7.5
	50	63	8	9
	50	63	9	10
	50	63	10	11
	50	63	10	11
	50	65	6	7
	50	65	7.5	8.5
	50	65	8	9
	50	65	9	10
	50	65	10	11
	50	65	12	13
	50	66	12	13
	50	68	10	11
	50	70	8	9
	50	70	10	11
	50	70	12	13

品名	∅d	∅D	h	HA
UN	50	70	18	20
	50	75	12.5	13.5
	50.9	70	13	14
	51	66	14	15
	52	62	7	8
	52	62	12	13
	52	65	6	7
	52	65	8	9
	52	70	12	13
	52	72	10	11
	53	63	6	7
	53	63	6.5	7.5
	53	63	8	9
	53	63	10	11
	53	65	8	9
	53	73	12	13
	54	64	6	7
	54	70	12	13
	55	63	8	9
	55	63	10	11
	55	65	5	6
	55	65	6	7
	55	65	8	9
	55	65	10	11
	55	65	12	13
	55	66	10	11
	55	70	7.5	8.5
	55	70	8	9
	55	70	9	10
	55	70	10	11
	55	70	12	13
	55	71	12	13
	55	72	10	11
	55	75	10	11
	55	75	12	13
	55	76	10	11

品名	∅d	∅D	h	HA
UN	56	66	6	7
	56	66	6.5	7.5
	56	66	8.5	9.5
	56	66	10	11
	56	71	11.5	12.5
	56	76	12	13
	57	63	8	9
	57	63	10	11
	58	68	6	7
	58	68	14	15
	58	70	8	9
	58	78	12	13
	60	68	8	9
	60	68	11.5	12.5
	60	68	14	15
	60	70	5	6
	60	70	6	7
	60	70	8	9
	60	70	9	10
	60	70	10	11
	60	70	12	13
	60	71	7	8
	60	72	10	11
	60	73	8	9
	60	75	8	9
	60	75	9	10
	60	75	10	11
	60	75	12	13
	60	75	13	14
	60	76	12	13
	60	80	6	7
	60	80	10	11
	60	80	12	13
	60	80	18	20
	60	85	10	11
	60	85	12	13

品名	∅d	∅D	h	HA
UN	60	85	12.5	13.5
	60	90	15	17
	60	90	16	18
	61	67	5	6
	61	71	6	7
	61	71	6.5	7.5
	61	76	6	7
	61	78	15.5	17.5
	62	70	10	11
	62	72	10	11
	62	75	10	11
	62	78	10	11
	62	80	10	11
	62	82	10	11
	62	82	12	13
	63	71	8	9
	63	73	6	7
	63	73	12	13
	63	75	6	7
	63	75	10	11
	63	75	12	13
	63	75	14	15
	63	78	10	11
	63	80	9	10
	63	80	10	11
	63	80	12	13
	63	80	16	18
	63	83	12	13
	64	76	9.5	10.5
	64	80	8	9
	64	80	12	13
	65	73	8	9
	65	73	11.5	12.5
	65	75	6	7
	65	75	8	9
	65	75	9	10

品名	∅d	∅D	h	HA
UN	65	75	10	11
	65	75	12	13
	65	76	10	11
	65	78	10	11
	65	79	10	11
	65	80	7.5	8.5
	65	80	8.4	9.5
	65	80	9	10
	65	80	10	11
	65	80	11	12
	65	80	12	13
	65	85	10	11
	65	85	12	13
	65	86	10	11
	66	76	8	9
	67	77	6	7
	67	77	9.5	10.5
	67	77	12	13
	67	87	12	13
	67	95	11.5	12.5
	68	78	12	13
	68	80	9	10
	70	78	8	9
	70	80	5	6
	70	80	6	7
	70	80	6.5	7.5
	70	80	7	8
	70	80	8	9
	70	80	10	11
	70	80	12	13
	70	81	10	11
	70	82	10	11
	70	82	12	13
	70	83	12	13
	70	84	10	11
	70	85	8	9

品名	∅d	∅D	h	HA
UN	70	85	9	10
	70	85	10	11
	70	85	10.5	11.5
	70	85	12	13
	70	90	10	11
	70	90	12	13
	70	90	13	14
	70	90	13.5	14.5
	70	90	15	17
	70	90	18	20
	70	91	10	11
	70	92	12	13
	70	95	12	13
	71	80	6	7
	71	81	6	7
	71	91	12	13
	73	85	10	11
	75	83	11	12
	75	85	6	7
	75	85	7	8
	75	85	8	9
	75	85	10	11
	75	85	12	13
	75	86	10	11
	75	90	9	10
	75	90	10	11
	75	90	12	13
	75	95	10	11
	75	95	12	13
	75	95	13	14
	75	95	13.5	14.5
	75	95	14	15
	75	100	15	17
	76	82	5	6
	76	86	14	15
	76	91	14	15

品名	∅d	∅D	h	HA
UN	76	92	12	13
	76.5	90.5	10	11
	78	86	14	15
	78	95	11.5	12.5
	80	88	8	9
	80	90	5	6
	80	90	6	7
	80	90	8	9
	80	90	10	11
	80	90	12	13
	80	91	10	11
	80	92	8.7	9.7
	80	92	14	15
	80	93	8	9
	80	94	10	11
	80	95	9	10
	80	95	10	11
	80	95	11	12
	80	95	12	13
	80	96	12	13
	80	100	9.5	10.5
	80	100	10	11
	80	100	12	13
	80	100	13	14
	80	100	13.5	14.5
	80	100	15	17
	80	105	12	13
	80	110	12	13
	80	110	15	17
	81	100	16	18
	83	94	6.2	7
	85	93	8	9
	85	93	11.5	12.5
	85	95	5	6
	85	95	6	7
	85	95	8.5	9.5

品名	∅d	∅D	h	HA
UN	85	95	9	10
	85	95	12	13
	85	95.5	6	7
	85	96	10	11
	85	97	9	10
	85	100	9	10
	85	100	10	11
	85	100	12	13
	85	105	10	11
	85	105	12	13
	85	105	15	17
	85	105	18	20
	85	110	12	13
	86	96	11.5	12.5
	87	95	11.5	12.5
	88	100	9	10
	88	100	14	15
	90	98	8	9
	90	100	5	6
	90	100	6	7
	90	100	6.5	7.5
	90	100	8	9
	90	100	9	10
	90	100	10	11
	90	100	12	13
	90	102	14	15
	90	105	9	10
	90	105	11.5	12.5
	90	105	12	13
	90	110	9	10
	90	110	10	11
	90	110	12	13
	90	110	13	14
	90	110	15	17
	90	115	12	13
	90	115	15	17

品名	∅d	∅D	h	HA
UN	90	120	12	13
	90	125	15	17
	91	97	5	6
	95	105	7	8
	95	105	10	11
	95	105	11.5	12.5
	95	105	12	13
	95	105	14	15
	95	110	9	10
	95	110	10	11
	95	110	12	13
	95	115	12	13
	95	115	13.5	14.5
	95	115	15	17
	95	115	18	20
	95	120	12	13
	95	120	13	14
	97	105	14	15
	98	112	9	10
	100	110	5	6
	100	110	6	7
	100	110	8	9
	100	110	10	11
	100	110	11	12
	100	110	12	13
	100	110	15	17
	100	112	9	10
	100	115	9	10
	100	115	10	11
	100	115	12	13
	100	115	15	17
	100	120	10	11
	100	120	12	13
	100	120	13.5	14.5
	100	120	15	17
	100	125	10	11

品名	∅d	∅D	h	HA
UN	100	125	12	13
	100	125	15	17
	100	130	15	17
	100.4	115	9	10
	104	117	5.3	6
	104.5	117	5.3	6
	105	113	11	12
	105	115	9	10
	105	115	12	13
	105	115	13.5	14.5
	105	120	8	9
	105	120	9	10
	105	120	11	12
	105	120	12	13
	105	120	13	14
	105	120	15	17
	105	125	10	11
	105	125	11	12
	105	125	12	13
	105	125	13	14
	105	125	15	17
	105	125	16	18
	105	130	12	13
	105	130	13	14
	106	121	9	10
	106	126	16	18
	107	113	5	6
	110	120	12	13
	110	124	9.5	10.5
	110	125	9	10
	110	125	11	12
	110	125	12	13
	110	125	15	17
	110	130	9	10
	110	130	12	13
	110	130	15	17

品名	∅d	∅D	h	HA
UN	110	130	16	18
	110	135	15	17
	110	140	15	17
	110	140	18	20
	110	145	15	17
	112	125	9	10
	112	127	12	13
	112	132	15	17
	112	132	16	18
	113	125	14	15
	115	125	12	13
	115	130	9	10
	115	130	10	11
	115	130	12	13
	115	130	13.5	14.5
	115	130	14.5	15.5
	115	130	15	17
	115	135	12	13
	115	135	15	17
	115	140	12	13
	115	140	15	17
	117	130	10	11
	117	130	12	13
	118	126	14	15
	118	130	10	11
	118	130	12	13
	120	130	5	6
	120	130	12	13
	120	130	13	14
	120	130	14	15
	120	132	12	13
	120	135	9	10
	120	135	12	13
	120	140	10	11
	120	140	12	13
	120	140	13	14

品名	Ød	ØD	h	HA
UN	120	140	15	17
	120	140	16	18
	120	145	12	13
	120	145	15	17
	120	145	18	20
	120	150	15	17
	124	145	15	17
	125	135	12	13
	125	140	9	10
	125	140	11	12
	125	140	12	13
	125	140	13	14
	125	140	15	17
	125	145	12	13
	125	145	15	17
	125	145	16	18
	125	150	15	17
	125	155	15	17
	126	132	5	6
	130	140	6	7
	130	140	12	13
	130	145	9	10
	130	145	12	13
	130	145	15	17
	130	150	10	11
	130	150	12	13
	130	150	15	17
	130	150	16	18
	130	155	12	13
	130	155	15	17
	130	160	15	17
	130	165	15	17
	132	145	9	10
	132	152	15	17
	135	145	12	13
	135	145	13	14

品名	Ød	ØD	h	HA
UN	135	150	11	12
	135	150	12	13
	135	150	15	17
	135	155	12	13
	135	155	15	17
	135	160	15	17
	135	160	19	21
	135	165	15	17
	136	150	9	10
	140	148	7	8
	140	150	5	6
	140	150	6	7
	140	150	11	12
	140	150	12	13
	140	150	13.5	14.5
	140	150	15	17
	140	152	10	11
	140	155	9	10
	140	155	10	11
	140	155	12	13
	140	155	15	17
	140	157	6	7
	140	160	9	10
	140	160	10	11
	140	160	12	13
	140	160	15	17
	140	160	16	18
	140	165	15	17
	140	170	15	17
	141	151	14	15
	143	151	14	15
	144	160	18	20
	145	160	9	10
	145	160	12	13
	145	165	12	13
	145	165	15	17

品名	Ød	ØD	h	HA
UN	145	170	15	17
	145	175	15	17
	148	160	14	15
	150	165	9	10
	150	165	15	17
	150	170	10	11
	150	170	12	13
	150	170	15	17
	150	170	16	18
	150	175	15	17
	150	175	16	18
	150	180	15	17
	150	180	18	20
	155	170	9	10
	155	175	12	13
	155	180	15	17
	155	180	16	18
	155	180	19	21
	160	170	7.5	8.5
	160	170	12	13
	160	175	7.5	8.5
	160	175	9	10
	160	175	10	11
	160	175	12	13
	160	175	15	17
	160	175	16	18
	160	180	10	11
	160	180	12	13
	160	180	15	17
	160	180	16	18
	160	185	12	13
	160	185	16	18
	160	185	18	20
	160	190	15	17
	160	190	18	20
	160	195	17	19

品名	Ød	ØD	h	HA
UN	162	172	14	15
	164	180	18	20
	165	177	9	10
	165	180	9	10
	165	180	15	17
	165	185	15	17
	165	190	15	17
	165	190	16	18
	165	190	19	21
	170	180	12	13
	170	185	9	10
	170	190	12	13
	170	190	15	17
	170	195	12	13
	170	195	15	17
	170	195	16	18
	170	200	15	17
	170	200	18	20
	170	215	20	22
	171	179	14	15
	175	190	10	11
	175	190	16	18
	175	200	15	17
	175	200	16	18
	175	200	19	21
	175	205	15	17
	180	190	10	11
	180	200	10	11
	180	200	12	13
	180	200	12.5	13.5
	180	200	15	17
	180	200	16	18
	180	205	12	13
	180	205	15	17
	180	205	16	18
	180	205	18	20

品名	Ød	ØD	h	HA
UN	180	210	15	17
	180	210	22	24
	180	215	15	17
	183	193	14	15
	184	200	18	20
	185	195	12	13
	185	200	7.5	8.5
	185	200	9	10
	185	200	12	13
	185	200	15	17
	185	205	15	17
	185	210	15	17
	185	210	16	18
	185	215	15	17
	190	205	15	17
	190	205	16	18
	190	210	12	13
	190	210	15	17
	190	215	15	17
	190	215	16	18
	190	220	15	17
	190	220	16	18
	190	220	18	20
	190	220	22	24
	190	225	15	17
	195	220	15	16
	200	215	12	13
	200	216	18	20
	200	220	12	13
	200	220	15	17
	200	220	18	20
	200	225	15	17
	200	225	16	18
	200	225	18	20
	200	225	20	22
	200	230	15	17

品名	Ød	ØD	h	HA
UN	200	230	18	20
	200	230	22	24
	200	235	20	22
	200	240	12	13
	205	230	16	18
	205	230	20	22
	207	217	14	15
	210	225	15	17
	210	230	12	13
	210	230	14	15
	210	230	15	17
	210	235	15	17
	210	235	18	20
	210	240	15	17
	210	240	18	20
	212	237	18	20
	215	240	15	17
	215	240	16	18
	215	240	18	20
	215	240	19	21
	220	240	12	13
	220	240	15	17
	220	245	18	20
	220	250	15	17
	220	250	18	20
	220	250	22	24
	225	240	12	13
	225	250	19	21
	225	255	26	28
	230	250	12.5	13.5
	230	250	15	17
	230	250	18	20
	230	255	18	20
	230	260	18	20
	230	260	22	24
	235	255	12	13

品名	∅d	∅D	h	HA
UN	235	260	16	18
	235	260	19	21
	240	260	16	18
	240	265	16	18
	240	270	18	20
	245	270	19	21
	250	266	18	20
	250	270	15	17
	250	270	18	20
	250	275	18	20
	250	275	19	21
	250	280	18	20
	250	280	19	21
	250	280	25	27
	255	280	16	18
	255	280	19	21
	260	280	14	15
	260	280	18	20
	260	290	18	20
	264	280	18	20
	265	290	19	21
	265	295	19	21
	270	300	15	16
	270	300	18	20
	275	300	16	18
	280	300	15	17
	280	300	16	18
	280	300	18	20
	280	305	16	18
	280	310	20	21
	280	320	20	21
	290	320	18	20
	300	330	18	20
	305	340	27	29.5
	320	350	22	24
	325	355	25	27

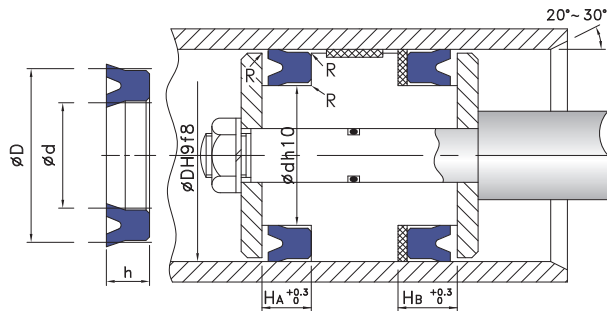
品名	∅d	∅D	h	HA
UN	330	350	15	17
	330	360	22	24
	340	370	22	24
	350	380	22	24
	360	390	22	24
	370	400	22	24
	330	360	22	24
	340	370	22	24
	350	380	22	24
	360	390	22	24
	370	400	22	24
	330	360	22	24
	340	370	22	24
	350	380	22	24
	360	390	22	24
	370	400	22	24
	330	360	22	24
	340	370	22	24
	350	380	22	24
	360	390	22	24
	370	400	22	24

品名	∅d	∅D	h	HA
UN"	1/2	3/4	1/8	0.138
	1/2	7/8	3/16	0.207
	1/4	1/2	1/4	0.275
	1/4	1/2	1/8	0.138
	1/4	5/8	3/16	0.207
	1/4	5/8	5/16	0.344
	3/16	1/2	1/4	0.275
	3/16	7/16	1/4	0.275
	3/4	1	1/8	0.138
	3/4	1	3/16	0.207
	3/4	1 1/8	1/4	0.275
	3/4	1 3/16	1/4	0.275
	3/4	1 5/16	5/16	0.344
	3/8	5/8	1/8	0.138
	5/16	9/16	1/8	0.138
	5/16	1/2	3/16	0.207
	5/16	5/8	1/4	0.275
	5/16	11/16	3/16	0.207
	7/16	3/4	3/16	0.207
	7/16	13/16	1/4	0.275
	7/8	1 1/4	1/4	0.275
	7/8	1 1/8	1/4	0.275
	7/8	1 1/8	1/8	0.138
	13/16	1 3/16	11/32	0.375
	15/16	1 5/8	3/8	0.413
	15/16	1 9/16	5/16	0.344
	23/32	1 1/4	1/4	0.275
	1	1 1/4	1/4	0.275
	1	1 1/4	1/8	0.138
	1	1 1/4	5/32	0.172
	1	1 3/8	3/16	0.207
	1 1/2	1 3/4	1/4	0.275
	1 1/2	2	1/4	0.275
	1 1/2	2	3/8	0.413
1 1/4	1 1/2	5/32	0.172	
1 3/4	2 1/4	1/4	0.275	

品名	∅d	∅D	h	HA
UN"	1 3/4	2 1/4	3/8	0.413
	1 3/4	2 3/8	3/8	0.413
	1 3/8	1 3/4	5/16	0.344
	1 3/8	1 5/8	5/32	0.172
	1 3/8	1 7/8	3/8	0.413
	1 3/8	1 11/16	7/32	0.241
	1 3/8	1 21/32	3/16	0.207
	1 5/8	2	1/4	0.275
	1 7/8	2 1/2	1/2	0.55
	1 7/8	2 1/2	3/8	0.413
	1 7/8	2 1/4	5/16	0.344
	1 7/8	2 3/8	1/4	0.275
	2	2 1/2	3/8	0.413
	2	2 3/8	1/4	0.275
	2 1/2	3	3/8	0.413
	2 1/4	2 3/4	3/8	0.413
	2 1/4	2 7/8	3/8	0.413
	2 1/4	3	3/8	0.413
	2 1/8	2 1/2	1/4	0.275
	2 1/8	2 1/2	3/16	0.207
	2 1/8	2 1/2	5/16	0.344
	2 3/4	3 1/4	3/8	0.413
	2 3/8	2 7/8	3/8	0.413
	2 3/8	3	3/8	0.413
	2 5/8	3	1/4	0.275
	2 7/8	3 1/4	1/4	0.275
	3	3 1/2	3/8	0.413
	3 1/4	3 7/8	1/2	0.55
	3 1/4	4	3/8	0.413
	3 1/8	3 1/2	3/8	0.413
	3 1/8	3 7/8	1/2	0.55
	3 5/8	4	1/4	0.275
	5 1/2	6	3/8	0.413

活塞及活塞桿專用密封件

D-4



$R \leq 0.3$

油缸內表面應作 $0.4\sim 3.2 \mu\text{mRmax}$ ($0.1\sim 0.8 \mu\text{mRa}$)的研磨或拋光

材質物性

材質: TPU / 8L953

比重 (ASTM D792): 1.19

硬度 (ASTM D2240): 93

拉力強度 (ASTM D412): 276

100% 模數 (ASTM D412): 100

300% 模數 (ASTM D412): 191

70小時70°C的壓縮變形率

(ASTM D395B): 42

70小時100°C的壓縮變形率

(ASTM D395B): 56

工作條件

最大工作壓力: 30 Mpa

工作速度: 0.03 ~ 0.5 m/sec

工作溫度: -20°C ~ 100°C

耐油性

試驗用油: 耐磨耗液壓油46#

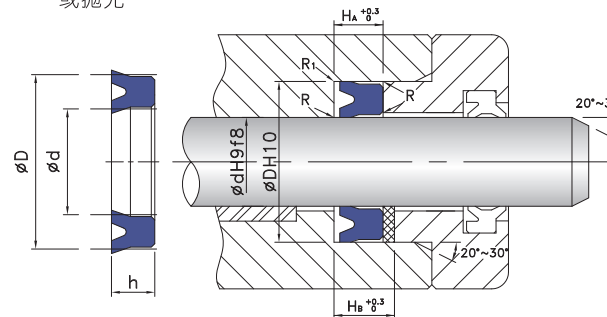
試驗溫度 (°C): 100

試驗時間 (小時): 100

硬度變化 (Shore A): 0

拉力強度變化 (%): -5

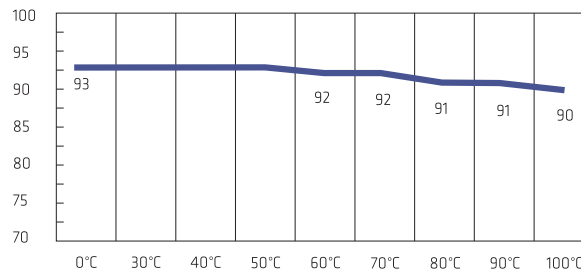
體積變化 (%): +0.12



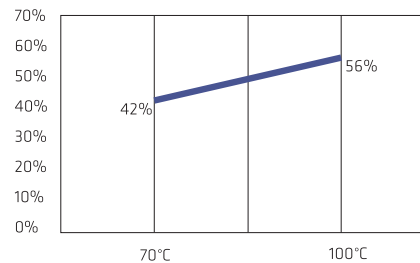
$R \leq 0.3, R1 \leq 0.5$

活塞桿表面應作 $0.8\sim 1.6 \mu\text{mRmax}$ ($0.2\sim 0.4 \mu\text{mRa}$)的拋光

硬度與溫度的關係表 (Shore A)

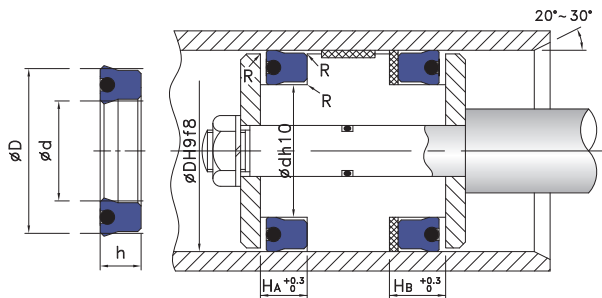
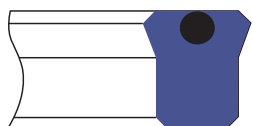


壓縮變形和溫度的關係表



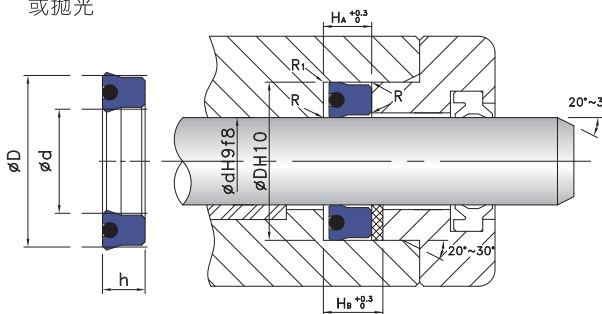
活塞及活塞桿專用密封件

D-6



$R \leq 0.3$

油缸內表面應作 $0.4 \sim 3.2 \mu m R_{max}$ ($0.1 \sim 0.8 \mu m R_a$)的研磨或拋光



$R \leq 0.3, R_1 \leq 0.5$

活塞桿表面應作 $0.8 \sim 1.6 \mu m R_{max}$ ($0.2 \sim 0.4 \mu m R_a$)的拋光

材質物性

材質: TPU / 8L953 + NBR

比重 (ASTM D792): 1.19

硬度 (ASTM D2240): 93

拉力強度 (ASTM D412): 276

100% 模數 (ASTM D412): 100

300% 模數 (ASTM D412): 191

70小時70°C的壓縮變形率

(ASTM D395B): 42

70小時100°C的壓縮變形率

(ASTM D395B): 56

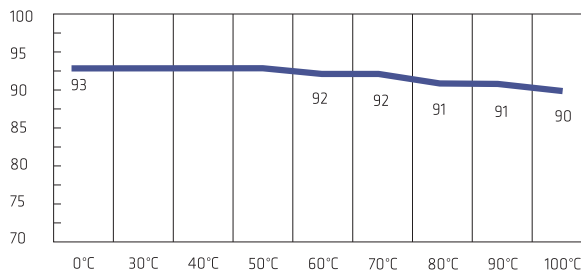
工作條件

最大工作壓力: 35 Mpa

工作速度: 0.03 ~ 0.5 m/sec

工作溫度: -20°C ~ 100°C

硬度與溫度的關係表 (Shore A)



耐油性

試驗用油: 耐磨耗液壓油46#

試驗溫度 (°C): 100

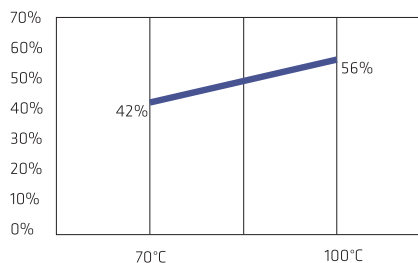
試驗時間 (小時): 100

硬度變化 (Shore A): 0

拉力強度變化 (%): -5

體積變化 (%): +0.12

壓縮變形和溫度的關係表

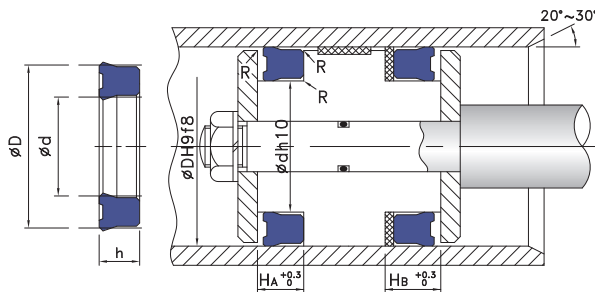


品名	∅d	∅D	h	HA
D-6"	1/2	3/4	1/4	0.275
	1/2	3/4	1/8	0.138
	1/2	3/4	3/16	0.207
	1/2	1	3/4	0.825
	1/4	1/2	1/4	0.275
	1/4	1/2	1/8	0.138
	3/4	1	1/4	0.275
	3/4	1	1/8	0.138
	3/4	1	3/16	0.207
	3/4	1 1/4	3/8	0.413
	3/8	3/4	1/4	0.275
	3/8	5/8	1/4	0.275
	5/8	7/8	1/4	0.275
	5/8	7/8	1/8	0.138
	5/8	7/8	3/16	0.207
	5/8	1	1/4	0.275
	5/8	1	3/16	0.207
	7/8	1 1/4	1/4	0.275
	7/8	1 1/8	1/8	0.138
	7/8	1 3/8	3/8	0.413
	9/16	1 3/16	1/8	0.138
	11/16	1 3/16	3/8	0.413
	13/16	1 1/16	1/8	0.138
	1	1 1/2	1/4	0.275
	1	1 1/2	3/8	0.413
	1	1 1/4	1/4	0.275
	1	1 1/4	1/8	0.138
	1	1 1/4	3/16	0.207
	1	1 3/8	1/4	0.275
	1	1 3/8	3/16	0.207
	1	1 3/8	7/16	0.481
	1	1 3/8	7/32	0.241
1	1 5/16	1/4	0.275	
1 1/16	1 5/16	1/4	0.275	
1 1/2	1 3/4	1/4	0.275	
1 1/2	1 7/8	1/4	0.275	

品名	∅d	∅D	h	HA
D-6"	1 1/2	1 7/8	3/8	0.413
	1 1/2	1 7/8	5/16	0.344
	1 1/2	2	1/4	0.275
	1 1/2	2	3/8	0.413
	1 1/2	2 1/8	7/16	0.481
	1 1/4	1 1/2	1/4	0.275
	1 1/4	1 1/2	5/8	0.688
	1 1/4	1 3/4	1/4	0.275
	1 1/4	1 3/4	3/8	0.413
	1 1/4	1 5/8	1/4	0.275
	1 1/4	1 5/8	3/16	0.207
	1 1/4	1 5/8	3/8	0.413
	1 1/4	1 7/8	5/16	0.344
	1 1/4	1 7/8	7/16	0.481
	1 1/4	1 11/16	3/8	0.413
	1 1/4	2	1/4	0.275
	1 1/8	1 1/2	5/16	0.344
	1 1/8	1 3/8	3/16	0.207
	1 3/16	1 1/2	5/32	0.172
	1 3/16	1 9/16	3/16	0.207
	1 3/16	1 11/16	1/4	0.275
	1 3/4	2	1/4	0.275
	1 3/4	2 1/4	1/4	0.275
	1 3/4	2 1/4	3/8	0.413
	1 3/4	2 1/8	1/4	0.275
	1 3/4	2 3/8	7/16	0.481
	1 3/8	1 3/4	3/16	0.207
	1 3/8	1 3/4	3/8	0.413
	1 3/8	1 5/8	1/8	0.138
	1 3/8	1 7/8	3/8	0.413
	1 3/8	1 11/16	5/32	0.172
	1 3/8	2	7/16	0.481
1 5/16	1 9/16	5/32	0.172	
1 5/8	1 7/8	3/8	0.413	
1 5/8	1 7/8	5/32	0.172	
1 5/8	2	3/16	0.207	

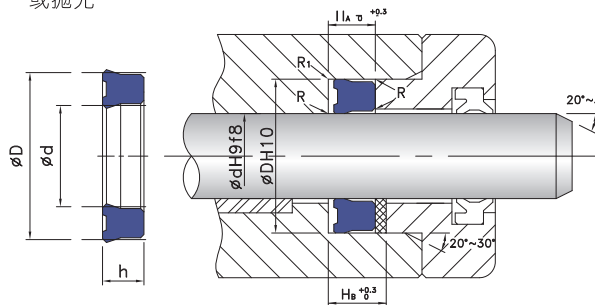
活塞及活塞桿專用密封件

D-7



$R \leq 0.3$

油缸內表面應作 $0.4\sim 3.2 \mu mR_{max}$ ($0.1\sim 0.8 \mu mRa$)的研磨或拋光



$R \leq 0.3, R1 \leq 0.5$

活塞桿表面應作 $0.8\sim 1.6 \mu mR_{max}$ ($0.2\sim 0.4 \mu mRa$)的拋光

材質物性

材質: TPU / 8L953

比重 (ASTM D792): 1.19

硬度 (ASTM D2240): 93

拉力強度 (ASTM D412): 276

100% 模數 (ASTM D412): 100

300% 模數 (ASTM D412): 191

70小時70°C的壓縮變形率

(ASTM D395B): 42

70小時100°C的壓縮變形率

(ASTM D395B): 56

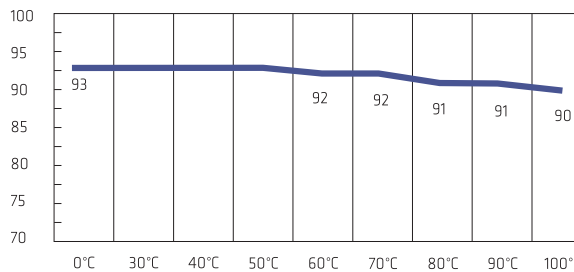
工作條件

最大工作壓力: 30 Mpa

工作速度: 0.03 ~ 0.5 m/sec

工作溫度: -20°C ~ 100°C

硬度與溫度的關係表 (Shore A)



耐油性

試驗用油: 耐磨耗液壓油46#

試驗溫度 (°C): 100

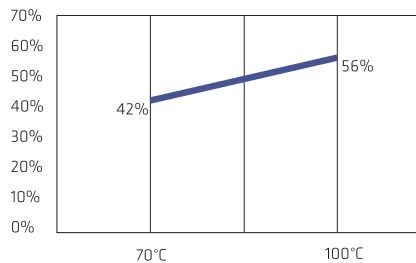
試驗時間 (小時): 100

硬度變化 (Shore A): 0

拉力強度變化 (%): -5

體積變化 (%): +0.12

壓縮變形和溫度的關係表



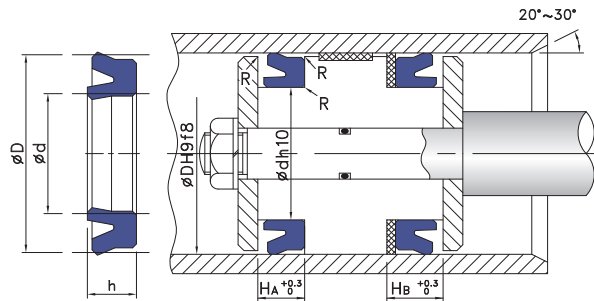
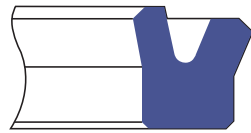


DingZing DZ[®] 活塞專用密封件

鼎基提供2款DingZing DZ活塞專用密封件：D-1和D-8。
這些密封件僅適用於活塞，尺寸可選擇以英寸為單位。

活塞專用密封件

D-1



材質物性

材質: TPU / 8L95

比重 (ASTM D792): 1.20

硬度 (ASTM D2240): 95

拉力強度 (ASTM D412): 317

100% 模數 (ASTM D412): 110

300% 模數 (ASTM D412): 170

70小時70°C的壓縮變形率

(ASTM D395B): 34

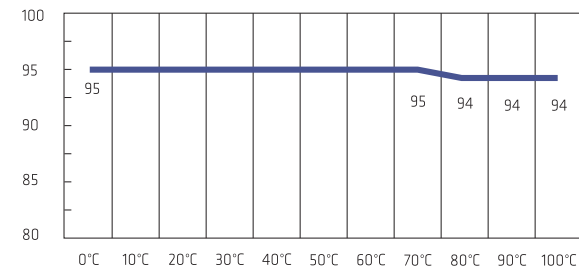
70小時100°C的壓縮變形率

(ASTM D395B): 56

$R \leq 0.3$

油缸內表面應作 $0.4\sim 3.2 \mu\text{mRmax}$ ($0.1\sim 0.8 \mu\text{mRa}$)的研磨或拋光

硬度與溫度的關係表 (Shore A)



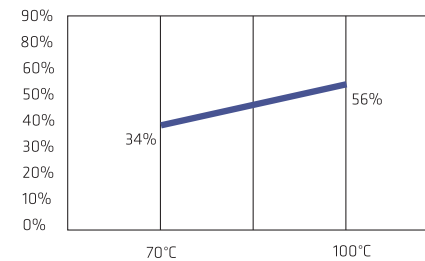
工作條件

最大工作壓力: 40 Mpa

工作速度: 0.03 ~ 0.5 m/sec

工作溫度: -20°C ~ 100°C

壓縮變形和溫度的關係表



耐油性

試驗用油: 耐磨耗液壓油46#

試驗溫度 (°C): 100

試驗時間 (小時): 100

硬度變化 (Shore A): -1

拉力強度變化 (%): -4

體積變化 (%): +0.08

品名	∅d	∅D	h	HA
D-1	5	15	8	9
	6	15	8	9
	8	14	4	5
	10	16	4.5	5.5
	11.2	19.2	5	6
	14	22	5	6
	17	25	4	5
	17	25	10	11
	19	34	8	9
	20	30	5	6
	23	31	5	6
	25	32	5.8	6.5
	25	40	12	13
	26	32	5	6
	27	35	5	6
	29	37	5.5	6.5
	30	40	6	7
	30	40	6.5	7.5
	30	40	8	9
	30	45	6	7
	30	45	12	13
	33	45	9	10
	35	45	6	7
	35	45	8	9
	35	48	10	11
	35	50	9	10
	35	50	12	13
	35	55	12	13
	36	46	7	8
	37	45	6	7
	40	50	6	7
	40	50	6.5	7.5
40	50	8	9	
40	50	9	10	
40.8	50.8	7	8	
45	55	6	7	

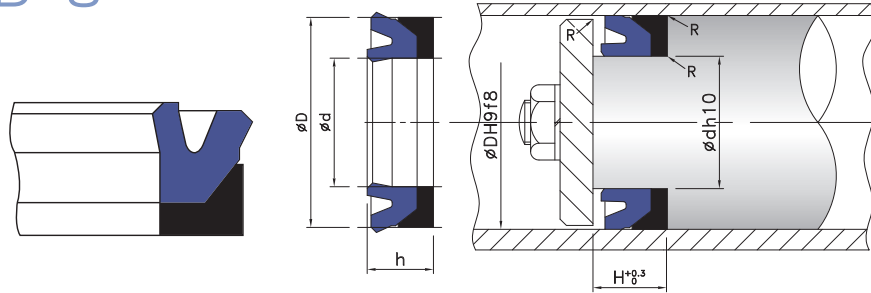
品名	∅d	∅D	h	HA
D-1	45	56	7	8
	45	60	10	11
	45	65	12	13
	46	56	6	7
	48	63	9	10
	48	63	10	11
	48	63	11.5	12.5
	50	60	5	6
	50	60	6	7
	50	60	7	8
	50	60	8	9
	50	63	14	15
	50	65	9	10
	50	70	9	10
	50	70	12	13
	53	63	6	7
	53	63	6.5	7.5
	53	63	8	9
	53	65	14	15
	55	70	9	10
	55	70	10	11
	55	70	12	13
	55	75	12	13
	58	72	12	13
	60	70	6	7
	60	70	8	9
	60	70	12	13
	60	75	13	14
	61	71	6	7
	64	80	12	13
	65	75	6	7
	65	80	10	11
70	80	6	7	
70	80	8	9	
70	86	12	13	
71	80	6.5	7.5	

品名	∅d	∅D	h	HA
D-1	73	85	14	15
	75	88	9.5	10.5
	75	90	9	10
	75	90	10	11
	75	100	18	19
	78	90	14	15
	80	90	6	7
	80	95	9	10
	80	100	14.5	15.5
	83	95	14	15
	85	100	9	10
	85	100	9.5	10.5
	89	105	18	19
	90	105	9	10
	94	110	18	19
	95	110	9	10
	98	110	14	15
	100	115	9	10
	100	120	12	13
	100	120	13	14
	100	130	12	13
	104	120	18	19
	106	120	8.5	9.5
	108	120	14	15
	109	125	18	19
	110	120	6	7
	110	125	9	10
	110	125	10	11
	110	130	12	13
	112	125	9	10
	115	130	9	10
118	133	9	10	
120	130	13.5	14.5	
120	140	13	14	
124	140	18	19	
125	140	9	10	

品名	∅d	∅D	h	HA
D-1	128	140	14	15
	130	150	15	16
	135	150	9	10
	135	160	19	20
	140	150	7	8
	140	160	13	14
	145	160	9	10
	148	160	15.5	16.5
	150	160	12.5	13.5
	150	170	15	16
	154	170	18	19
	155	170	9	10
	165	180	9	10
	174	190	18	19
	175	190	9	10
	175	200	18.2	19.2
	190	210	12	13
	195	220	16	17
	200	220	12	13
	204	220	18	19
	215	240	16	17
	220	240	12	13
	225	250	19	20
	230	250	12	13
	230	250	12.5	13.5
	230	255	22	23
	234	250	18	19
	270	300	19	20
	270	300	24	25
	284	300	18	19
	290	320	19	20
300	330	19	20	
370	400	22	23	

活塞專用密封件

D-8



材質物性

材質: TPU / 8L95 + PA

比重 (ASTM D792): 1.20

硬度 (ASTM D2240): 95

拉力強度 (ASTM D412): 317

100% 模數 (ASTM D412): 110

300% 模數 (ASTM D412): 170

70小時70°C的壓縮變形率

(ASTM D395B): 34

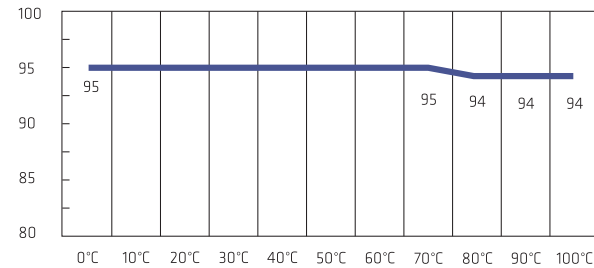
70小時100°C的壓縮變形率

(ASTM D395B): 56

$R \leq 0.3$

油缸內表面應作 $0.4 \sim 3.2 \mu mR_{max}$ ($0.1 \sim 0.8 \mu mRa$)的研磨或拋光

硬度與溫度的關係表 (Shore A)



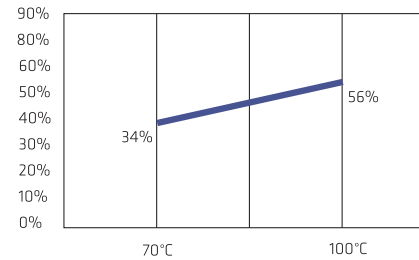
工作條件

最大工作壓力: 40 Mpa

工作速度: 0.03 ~ 0.5 m/sec

工作溫度: -20°C ~ 100°C

壓縮變形和溫度的關係表



耐油性

試驗用油: 耐磨耗液壓油46#

試驗溫度 (°C): 100

試驗時間 (小時): 100

硬度變化 (Shore A): -1

拉力強度變化 (%): -4

體積變化 (%): +0.08

品名	∅d	∅D	h	HA
D-8	25	40	12	13
	30	45	12	13
	35	50	12	13
	45	60	12	13
	55	70	12	13
	60	75	12	13
	70	85	12	13
	80	95	12	13

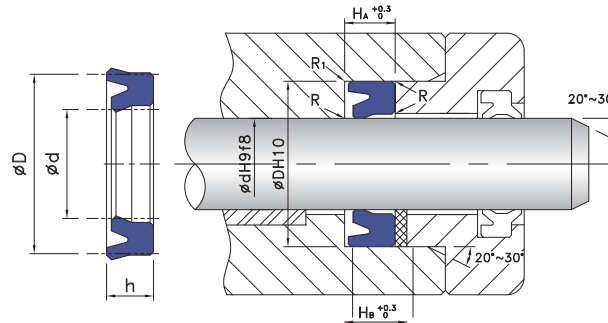
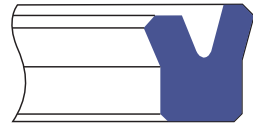
品名	∅d	∅D	h	HA



DingZing DZ®
活塞桿專用密封件

鼎基提供2款DingZing DZ活塞桿專用密封件：D-2和D-3。這些密封件僅用於活塞桿，尺寸可選擇以英寸為單位。

D-2



材質物性

材質: TPU / 8L95

比重 (ASTM D792): 1.20

硬度 (ASTM D2240): 95

拉力強度 (ASTM D412): 317

100% 模數 (ASTM D412): 110

300% 模數 (ASTM D412): 170

70小時70°C的壓縮變形率

(ASTM D395B): 34

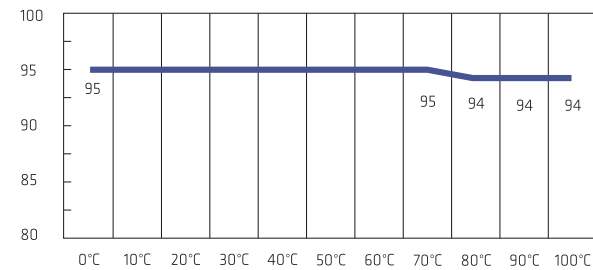
70小時100°C的壓縮變形率

(ASTM D395B): 56

$$R \leq 0.3, R_1 \leq 0.5$$

活塞桿表面應作0.8~1.6 μ mRmax (0.2~0.4 μ mRa)的拋光

硬度與溫度的關係表 (Shore A)



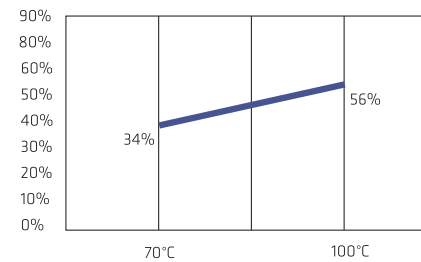
工作條件

最大工作壓力: 40 Mpa

工作速度: 0.03 ~ 0.5 m/sec

工作溫度: -20°C ~ 100°C

壓縮變形和溫度的關係表



耐油性

試驗用油: 耐磨耗液壓油46#

試驗溫度 (°C): 100

試驗時間 (小時): 100

硬度變化 (Shore A): -1

拉力強度變化 (%): -4

體積變化 (%): +0.08

品名	∅d	∅D	h	HA
D-2	6	12	5	5.6
	10	16	4.5	5.2
	10	20	8	9
	11.3	16	3.5	4.5
	12	20	5.8	6.3
	12	22	8	9
	14	22	5	5.7
	14	22	5.7	6.3
	14	24	6	7
	15	21	5	5.7
	15	23	5	5.7
	16	22	5	5.7
	16	24	5	5.7
	16	24	5.7	6.3
	17	25	10	11
	18	26	5	5.7
	18	26	6	7
	18	26	8	9
	18	28	8.2	9.2
	19	27	6	7
	20	25	5	5.7
	20	26	5	5.7
	20	27	6	7
	20	28	5	5.7
	20	28	7.2	8
	20	30	6	7
	20	30	8	9
	20	33	10	11
	21	29.5	5	5.7
	22	30	5	5.7
	22	30	8	9
	22.4	30	5.2	5.7
22.7	33	5.3	6	
23	35	6	7	
25	32	5	5.7	
25	33	5	5.7	

品名	∅d	∅D	h	HA
D-2	25	33	5.8	6.3
	25	33	10	11
	28	35.5	5	5.7
	28	36	8	9
	28	38	10	11
	30	38	5.7	6.3
	30	40	6	7
	30	40	7	8
	30	42	12	13
	30	43	10	11
	30	45	9	10
	30	47	7	8
	30	48	7	8
	32	40	5.7	6.3
	32	40	6	7
	32	40	8	9
	32	42	6	7
	32	45	10	11
	32	47	10	11
	32	48	10	11
	33	43	10	11
	35	42	7	8
	35	43	6.3	7
	35	45	6	7
	35	45	7	8
	35	45	10	11
	35	50	9	10
	35.5	45	6.5	7.5
	36	44	5.7	6.3
	36	46	10	11
	37	47	6	7
	38.08	57.15	12.7	13.9
39	58	10	11	
40	50	6	7	
40	50	7	8	
40	55	9	10	

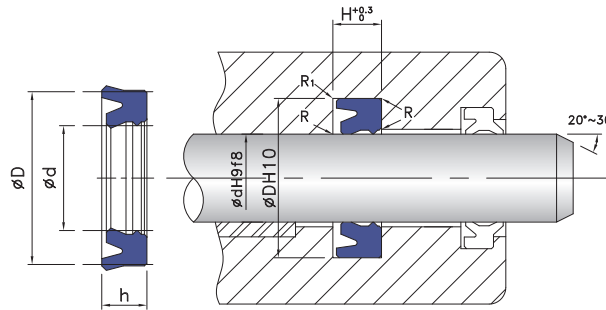
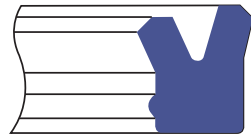
品名	∅d	∅D	h	HA
D-2	40	55	10	11
	42	52	7.3	8
	42	58	13	14
	45	53	10	11
	45	55	5.7	6.3
	45	55	6	7
	45	55	6.5	7.5
	45	55	7	8
	45	55	8	9
	45	60	9	10
	45	60	10	11
	48	58	10	11
	48	63	9	10
	50	60	6	7
	50	60	7	8
	50	60	8	9
	50	63	8	9
	50	63	10	11
	50	65	9	10
	50	65.5	6	7
	52	62	10	11
	53	70	9	10
	55	63	12	13
	55	65	6	7
	55	65	7	8
	55	68	10	11
	55	70	9	10
	55	75	12	13
	56	70	11.5	12.5
	57	84	16	17
	57.15	73.03	9.7	10.5
	60	68	6.3	7
60	70	6	7	
60	70	7.5	8.5	
60	70	10	11	
60	70	12	13	

品名	∅d	∅D	h	HA
D-2	60	73	10	11
	60	75	9	10
	60	76	10	11
	60	80	12	13
	63	73	12	13
	63.45	76.25	9.5	10.5
	65	75	6	7
	65	75	8	9
	65	78	10	11
	65	80	9	10
	65	80	12	13
	65	85	12	13
	67	84	16	17
	70	80	6	7
	70	82	8.7	9.6
	70	83	10	11
	70	83	13	14
	70	85	9	10
	70	90	10	11
	70	90	12	13
	72	87	9	10
	75	85	6	7
	75	85	7	8
	75	88	10	11
	75	90	9	10
	75	95	10	11
	75	95	12	13
	75	95	13	14
	76.5	90.5	10	11
	77	87	12	13
	80	90	8	9
	80	93	10	11
80	93	13	14	
80	95	9	10	
80	95	10	11	
80	100	12	13	

品名	∅d	∅D	h	HA
D-2	85	93	11	12
	85	100	9	10
	85	100	10	11
	85	100	13	14
	85	105	12	13
	85	105	13	14
	86	102	16	17
	90	98	6.3	7
	90	100	13	14
	90	102	8.7	9.6
	90	105	9	10
	90	105	10	11
	90	110	12	13
	90	110	13	14
	95	110	9	10
	95	110	10	11
	95	110	12	13
	95	110	13.5	14.5
	95	115	12	13
	95	115	13.5	14.5
	97	105	13	14
	98	113	9	10
	99	109	12	13
	100	113	12.5	13.5
	100	115	9	10
	100	115	10	11
	100	115	13.5	14.5
	100	120	12	13
	105	113	11	12
	105	120	9	10
	105	125	12	13
	110	120	6	7
	110	125	9	10
110	125	10	11	
110	130	10	11	
110	130	12	13	

品名	∅d	∅D	h	HA
D-2	110	130	13	14
	112	125	9	10
	115	127	14	15
	115	130	9	10
	115	135	12	13
	115	135	16	17
	118	133	9	10
	118	134	16	17
	120	135	9	10
	120	140	12	13
	125	140	9	10
	130	145	9	10
	130	150	9	10
	130	150	12	13
	130	150	16	17
	140	150	6	7
	140	155	9.5	10.5
	140	155	10	11
	140	160	16	17
	150	165	9	10
	150	170	12	13
	160	180	12	13
	160	185	16	17
	165	180	9	10
	170	195	15	16
	170	195	16	17
	175	195	17	18
	180	190	14	15
	180	195	12	13
	180	200	12	13
	180	205	15	16
	180	205	16	17
	200	225	19	20
210	230	12	13	
220	250	19	20	
280	310	19	20	

D-3



$R \leq 0.3, R1 \leq 0.5$

活塞桿表面應作 $0.8 \sim 1.6 \mu mR_{max}$ ($0.2 \sim 0.4 \mu mRa$)的拋光

材質物性

材質: TPU / 8L95

比重 (ASTM D792): 1.20

硬度 (ASTM D2240): 95

拉力強度 (ASTM D412): 317

100% 模數 (ASTM D412): 110

300% 模數 (ASTM D412): 170

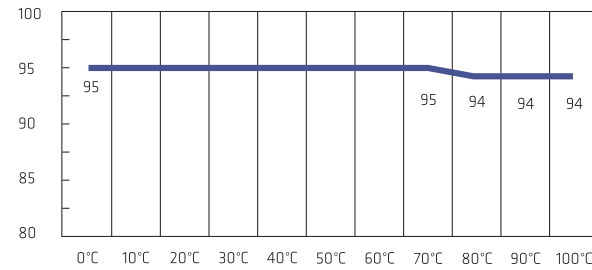
70小時 $70^\circ C$ 的壓縮變形率

(ASTM D395B): 34

70小時 $100^\circ C$ 的壓縮變形率

(ASTM D395B): 56

硬度與溫度的關係表 (Shore A)



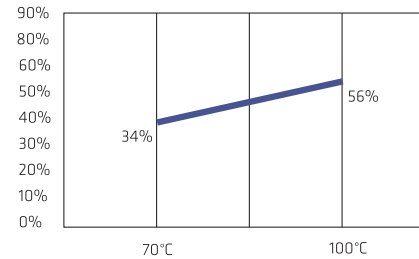
工作條件

最大工作壓力: 40 Mpa

工作速度: 0.03 ~ 0.5 m/sec

工作溫度: $-20^\circ C \sim 100^\circ C$

壓縮變形和溫度的關係表



耐油性

試驗用油: 耐磨耗液壓油46#

試驗溫度 (°C): 100

試驗時間 (小時): 100

硬度變化 (Shore A): -1

拉力強度變化 (%): -4

體積變化 (%): +0.08

品名	∅d	∅D	h	HA
D-3	8	20	8	9
	13	20	5	6
	15	25	9	10
	16	22	4	4.5
	16	22	5	6
	18	24	8	9
	18	25	5	6
	18	26	8	9
	18	28	8	9
	20	28	5.7	6.3
	20	30	8	9
	22	28	4.5	6.3
	22	30	5.7	6.3
	22	32	7	8
	25	33	6.3	7
	25	33	6.8	7.5
	25	35	7	8
	25	35	7.3	8
	25	35	8	9
	25	35	10	11
	25.4	31.75	5.69	6.35
	26	36	10	11
	28	34	3.4	4
	28	36	5.6	6.3
	28	38	7.3	8
	28	40	6	7
	30	36	6.3	7
	30	37	5	6
	30	38	5.7	6.3
	30	38	6.3	7
	30	38	8	9
	30	40	6	7
	30	40	7.3	8
30	40	8	9	
30	40	9	10	
30	40	10	11	

品名	∅d	∅D	h	HA
D-3	30	50	11	12
	32	40	6	7
	32	40	7.7	9
	32	42	5.7	6.3
	32	47	10	11
	35	43	8.3	9
	35	45	6	7
	35	45	7	8
	35	45	10	11
	35	51	9	10
	35.5	45	6	7
	36	44	5.7	6.3
	36	46	7.3	8
	37	47	8	9
	37	47	10	11
	38	48	8	9
	38	48	10	11
	38	58	10	11
	40	48	5.7	6.3
	40	50	7.3	8
	40	50	8	9
	40	50	10	11
	40	52.75	8	9
	40	55	9	10
	40	55	10	11
	42	50	5.7	6.3
	45	53	7	8
	45	55	7	8
	45	55	7.3	8
	45	55	10	11
	45	60	10	11
	45	60	11.4	12.5
	50	58	8	9
50	60	7.3	8	
50	60	8	9	
50	60	9	10	

品名	∅d	∅D	h	HA
D-3	50	60	10	11
	50	65	9	10
	50	65	10.9	12
	50	65	11.4	12.5
	52	62	10	11
	55	65	6	7
	55	65	10	11
	55	65	12	13
	55	70	11.4	12.5
	56	66	7.3	8
	56	71	12.5	13.5
	57	67	8	9
	60	68	8	9
	60	68	13.5	14.5
	60	70	7.3	8
	60	70	10	11
	60	70	12	13
	60	72	9	10
	60	78	10	11
	63	73	12	13
	63	73	13	14
	63	78	10	11
	63	78	11.4	12.5
	63	78	12.5	13.5
	65	75	7	8
	65	75	11.5	12.5
	65	77	9	10
	70	80	12	13
	70	85	11.4	12.5
	75	90	10	11
	75	95	12.5	13.5
	78	86	13.5	14.5
	80	88	8	9
80	88	11.5	12.5	
80	95	11.4	12.5	
80	95	11.8	13	

品名	∅d	∅D	h	HA
D-3	85	93	11.5	12.5
	90	98	8.5	9.5
	90	98	11.5	12.5
	90	100	10.5	11.5
	90	105	11.4	12.5
	95	103	11.5	12.5
	97	105	11.5	12.5
	97	105	13.5	14.5
	100	108	11.5	12.5
	100	110	15	16
	100	115	11.8	13
	100	120	15	16
	100	120	16	17
	105	113	11	12
	110	118	11.5	12.5
	110	120	11.5	12.5
	110	130	15	16
	118	126	13.5	14.5
	120	130	11.5	12.5
	120	130	15	16
	125	145	12	13
	125	145	13	14
	130	145	12	13
	135	143	11.5	12.5
	135	145	11.5	12.5
	140	150	15	16
	143	151	13.5	14.5
	150	160	14.5	16
	152	160	11.5	12.5
	160	168	11.5	12.5
	160	170	11.5	12.5
	160	170	15	16
	171	179	11.5	12.5
171	179	13.5	14.5	
172	180	11.5	12.5	
205	215	15	16	

品名	∅d	∅D	h	HA
D-3	210	225	14	15
	220	250	18	19

品名	∅d	∅D	h	HA
D-3"	1/2	3/4	3/16	0.207
	1/2	7/8	1/4	0.275
	3/4	1	1/4	0.275
	3/4	1	1/8	0.138
	5/8	7/8	1/4	0.275
	5/8	7/8	3/16	0.207
	5/8	1 1/8	1/4	0.275
	1	1 1/2	1/4	0.275
	1	1 1/2	3/8	0.413
	1	1 1/4	1/4	0.275
	1	1 3/8	1/4	0.275
	1	1 3/8	5/16	0.344
	1 1/2	1 3/4	1/4	0.275
	1 1/2	1 7/8	1/4	0.275
	1 1/2	1 7/8	3/16	0.207
	1 1/2	1 7/8	3/8	0.413
	1 1/2	1 7/8	5/16	0.344
	1 1/2	2	1/4	0.275
	1 1/2	2	3/8	0.413
	1 1/2	2	5/16	0.344
	1 1/2	2 1/8	3/8	0.413
	1 1/4	1 1/2	1/4	0.275
	1 1/4	1 1/2	3/16	0.207
	1 1/4	1 1/2	5/16	0.344
	1 1/4	1 3/4	3/8	0.413
	1 1/4	1 5/8	1/4	0.275
	1 1/4	1 5/8	3/16	0.207
	1 1/4	1 5/8	5/16	0.344
	1 1/4	2	1/4	0.275
	1 1/8	1 3/8	3/16	0.207
	1 3/4	2	1/4	0.275
1 3/4	2 1/2	7/16	0.481	
1 3/4	2 1/4	1/4	0.275	
1 3/4	2 1/4	3/8	0.413	
1 3/4	2 1/8	1/4	0.275	
1 3/4	2 1/8	3/16	0.207	

品名	∅d	∅D	h	HA
D-3"	1 3/4	2 1/8	3/8	0.413
	1 3/4	2 1/8	5/16	0.344
	1 3/4	2 1/8	25/64	0.430
	1 3/8	1 3/4	5/16	0.344
	1 3/8	1 5/8	1/4	0.275
	1 3/8	1 7/8	3/8	0.413
	1 3/8	2	3/8	0.413
	1 5/8	1 7/8	1/4	0.275
	1 5/8	2	5/16	0.344
	1 7/8	2 1/4	3/8	0.413
	2	2 1/2	3/8	0.413
	2	2 1/2	5/16	0.344
	2	2 1/4	1/4	0.275
	2	2 3/8	3/16	0.207
	2	2 3/8	3/8	0.207
	2	2 3/8	5/16	0.344
	2	2 5/8	1/2	0.550
	2	2 5/8	5/16	0.344
	2 1/2	2 7/8	3/8	0.413
	2 1/2	3	3/8	0.413
	2 1/2	3 1/4	5/8	0.688
	2 1/2	3 1/4	9/16	0.619
	2 1/4	2 3/4	3/8	0.413
	2 1/4	2 11/16	3/8	0.413
	2 1/4	3	1/2	0.550
	2 3/4	3 1/2	5/8	0.688
	2 3/4	3 1/4	3/8	0.413
	2 3/4	3 1/8	3/8	0.413
	2 5/8	3	3/8	0.413
	2 7/8	3 1/4	5/16	0.344
	3	3 1/2	3/8	0.413
	3	3 5/8	1/2	0.550
	3 1/2	4	3/8	0.413
	3 1/4	3 3/4	3/8	0.413
3 1/4	3 5/8	3/8	0.413	
3 1/4	4	5/8	0.688	

品名	∅d	∅D	h	HA
D-3"	3 3/8	3 3/4	5/16	0.344
	3 7/8	4 1/4	5/16	0.344
	4	4 1/2	3/8	0.413
	4	4 3/4	9/16	0.619
	4	4 5/8	3/8	0.413
	4	4 5/8	9/16	0.619
	4 1/2	5	1/2	0.550
	4 1/2	5	3/8	0.413
	4 1/2	5	9/16	0.619
	4 1/2	5 1/8	1/2	0.55
	4 1/4	4 3/4	9/16	0.619
	4 1/4	5	1/2	0.55
	4 1/4	5	9/16	0.619
	4 3/4	5 1/8	3/8	0.413
	5	5 1/2	1/2	0.55
	5 1/2	6	3/8	0.413
	5 1/2	6 1/4	5/8	0.688
	5 1/4	6	5/8	0.688
	6 1/2	7	3/8	0.413
	6 3/4	7 1/4	3/8	0.413
	6 3/4	7 1/4	5/8	0.688
	7 1/2	8	3/8	0.413

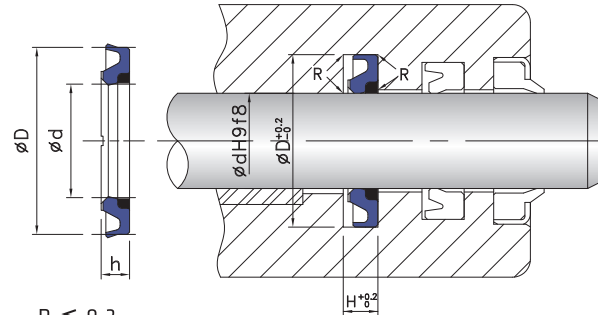


DingZing DZ[®]
緩衝密封件

DingZing DZ緩衝密封件有助於減少壓力峰值，是專門設計與活塞桿專用密封件一起的。

緩衝密封件

D-10



材質物性

材質: TPU / 8L95 + PA

比重 (ASTM D792): 1.20

硬度 (ASTM D2240): 95

拉力強度 (ASTM D412): 317

100% 模數 (ASTM D412): 110

300% 模數 (ASTM D412): 170

70小時70°C的壓縮變形率

(ASTM D395B): 34

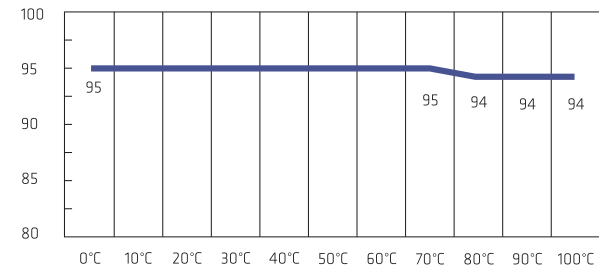
70小時100°C的壓縮變形率

(ASTM D395B): 56

$R \leq 0.3$

活塞桿表面應作0.8~1.6 μ mRmax (0.2~0.4 μ mRa)的拋光

硬度與溫度的關係表 (Shore A)



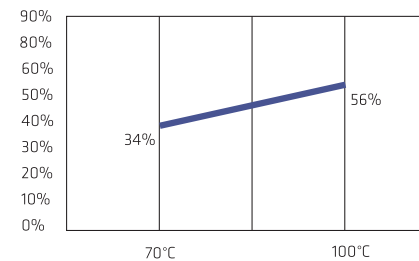
工作條件

最大工作壓力: 40 Mpa

工作速度: 0.03 ~ 0.5 m/sec

工作溫度: -20°C ~ 100°C

壓縮變形和溫度的關係表



耐油性

試驗用油: 耐磨耗液壓油46#

試驗溫度 (°C): 100

試驗時間 (小時): 100

硬度變化 (Shore A): -1

拉力強度變化 (%): -4

體積變化 (%): +0.08

品名	∅d	∅D	h	HA
D-10	22	32.7	4	4.3
	28	38.7	4	4.3
	40	55.5	6	6.3
	45	55.7	3.9	4.2
	45	60.5	6	6.3
	50	65.5	6	6.3
	55	70.5	6	6.3
	56	71.5	6	6.3
	60	75.5	6	6.3
	63	78.5	6	6.3
	65	80.5	6	6.3
	70	85.5	6	6.3
	75	90.5	6	6.3
	80	95.5	6	6.3
	85	100.5	6	6.3
	90	105.5	6	6.3
	95	110.5	6	6.3
	100	115.5	6	6.3
	105	120.5	6	6.3
	110	125.5	6	6.3
	115	130.5	6	6.3
	120	135.5	6	6.3
	124	139.5	6	6.3
	125	140.5	6	6.3
	130	145.5	6	6.3
	135	150.5	6	6.3
	140	155.5	6	6.3
	150	165.5	6	6.3
	155	170.5	6	6.3
	160	175.5	6	6.3
170	185.5	6	6.3	
180	195.5	6	6.3	

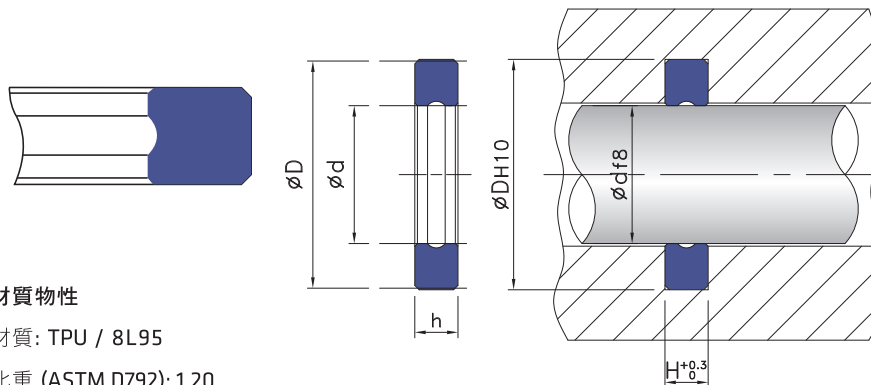
品名	∅d	∅D	h	HA
D-10"	1 1/2	2 1/16	1/8	0.14
	1 1/4	1 13/16	1/8	0.14
	1 3/4	2 5/16	1/8	0.14
	2	2 9/16	1/8	0.14
	2 1/2	3 3/16	3/16	0.234
	2 1/4	2 15/16	3/16	0.234
	2 3/4	3 3/8	3/16	0.234
	3	3 5/8	3/16	0.234
	3 1/2	4 3/16	3/16	0.234
	4	4 5/8	3/16	0.234



DingZing DZ[®]
旋轉密封件

DingZing DZ旋轉密封件能有效保留系統潤滑油，也能防止污染。

D-14



材質物性

材質: TPU / 8L95

比重 (ASTM D792): 1.20

硬度 (ASTM D2240): 95

拉力強度 (ASTM D412): 317

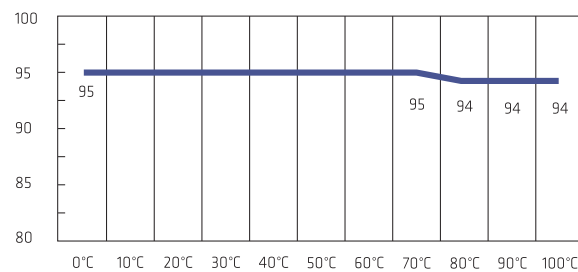
100% 模數 (ASTM D412): 110

300% 模數 (ASTM D412): 170

70小時70°C的壓縮變形率
(ASTM D395B): 34

70小時100°C的壓縮變形率
(ASTM D395B): 56

硬度與溫度的關係表 (Shore A)



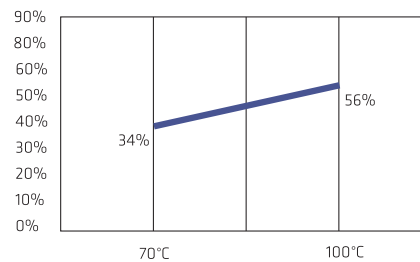
工作條件

最大工作壓力: 30 Mpa

工作速度: 0.03 ~ 0.5 m/sec

工作溫度: -20°C ~ 100°C

壓縮變形和溫度的關係表



耐油性

試驗用油: 耐磨耗液壓油46#

試驗溫度 (°C): 100

試驗時間 (小時): 100

硬度變化 (Shore A): -1

拉力強度變化 (%): -4

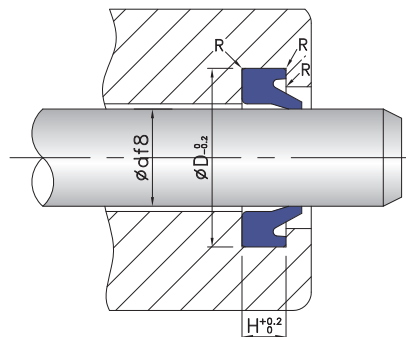
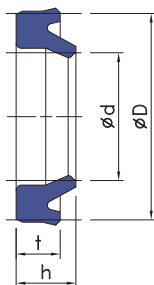
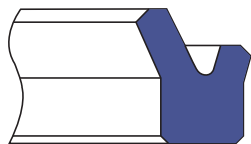
體積變化 (%): +0.08



DingZing DZ®
往復用防塵密封件

鼎基提供六款往復用防塵密封件：D-9、DH、DH-03、DH-04、DH-05，以及DH-07。我們的防塵密封件能有效防止灰塵與污垢。

D-9



材質物性

材質: TPU / 8L95

比重 (ASTM D792): 1.20

硬度 (ASTM D2240): 95

拉力強度 (ASTM D412): 317

100% 模數 (ASTM D412): 110

300% 模數 (ASTM D412): 170

70小時70°C的壓縮變形率

(ASTM D395B): 34

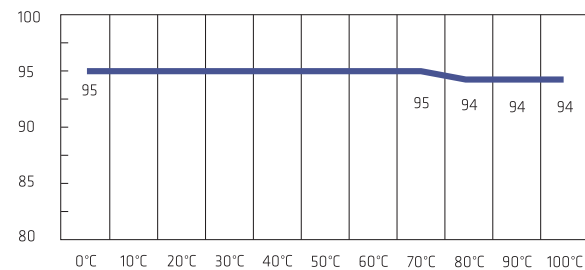
70小時100°C的壓縮變形率

(ASTM D395B): 56

$R \leq 0.3$

活塞桿表面應作0.8~1.6 μ mRmax (0.2~0.4 μ mRa)的拋光

硬度與溫度的關係表 (Shore A)

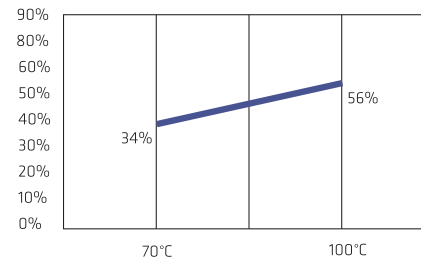


工作條件

工作速度: 0.03 ~ 0.5 m/sec

工作溫度: -20°C ~ 100°C

壓縮變形和溫度的關係表



耐油性

試驗用油: 耐磨耗液壓油46#

試驗溫度 (°C): 100

試驗時間 (小時): 100

硬度變化 (Shore A): -1

拉力強度變化 (%): -4

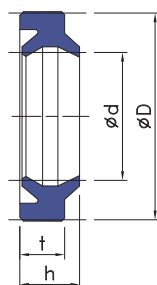
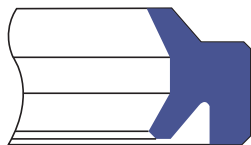
體積變化 (%): +0.08

品名	∅d	∅D	t	h	HA
D-9	14	19	2	3.2	2.5
	30	38	5	6.5	6
	35	43	6	8	7
	40	50	6	8	7
	45	55	6	8	7
	50	60	6	8	7
	50	63	7	9.5	8
	55	65	6	8	7
	55	68	7	9.5	8
	60	73	7	9.5	8
	65	78	7	9.5	8
	70	80	6	8	7
	70	83	7	9.5	8
	75	88	7	9.5	8
	80	93	7	9.5	8
	85	98	7	9.5	8
	90	103	7	9.5	8
	92	107.1	6.1	9	7
	95	108	7	9.5	8
	100	113	7	9.5	8
	105	118	7	9.5	8
	108	123	6.5	10.3	7.5
	110	123	7	9.5	8
	120	133	7	9.5	8
	125	138	7	9.5	8
	130	143	7	9.5	8
	136	149	7	9.5	8
	140	155	6.5	10.3	7.5
	155	170	6.5	10.3	7.5
	160	173	7	9.5	8
	170	183	7	9.5	8
	190	203	7	9.5	8

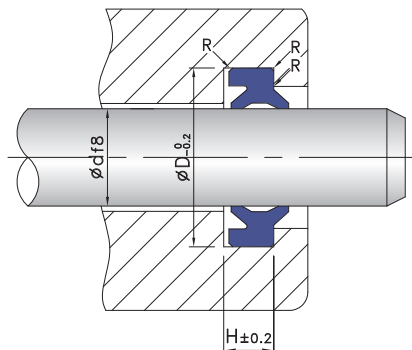
品名	∅d	∅D	t	h	HA

往復用防塵密封件

DH



$R \leq 0.3$



活塞桿表面應作 $0.8\sim 1.6 \mu \text{ mRmax}$ ($0.2\sim 0.4 \mu \text{ mRa}$)的拋光

材質物性

材質: TPU / 8L953

比重 (ASTM D792): 1.19

硬度 (ASTM D2240): 93

拉力強度 (ASTM D412): 276

100% 模數 (ASTM D412): 100

300% 模數 (ASTM D412): 191

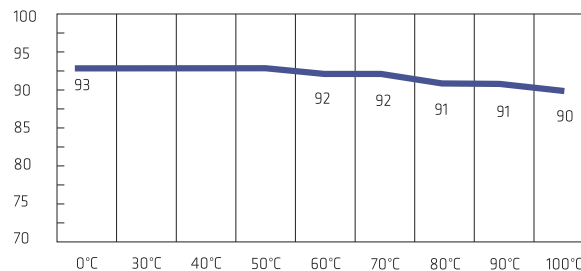
70小時 70°C 的壓縮變形率

(ASTM D395B): 42

70小時 100°C 的壓縮變形率

(ASTM D395B): 56

硬度與溫度的關係表 (Shore A)

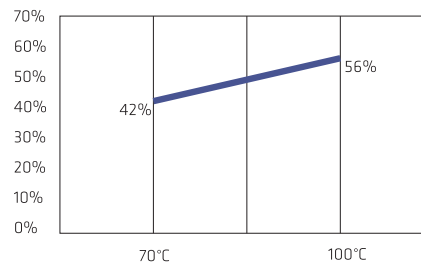


工作條件

工作速度: 0.03 ~ 0.5 m/sec

工作溫度: -20°C ~ 100°C

壓縮變形和溫度的關係表



耐油性

試驗用油: 耐磨耗液壓油46#

試驗溫度 (°C): 100

試驗時間 (小時): 100

硬度變化 (Shore A): 0

拉力強度變化 (%): -5

體積變化 (%): +0.12

品名	∅d	∅D	t	h	HA
DH	11.2	19.2	4.5	6	5
	12	20	4.5	6	5
	14	22	4.5	6	5
	16	24	4.5	6	5
	18	26	4	7	4.5
	18	26	4.5	6	5
	20	27	4	5	4.5
	20	28	4	7	4.5
	20	28	4.5	6	5
	22	30	4.5	6	5
	22	31	3.7	7.6	4.2
	22.4	30.4	4.5	6	5
	23.5	31.5	4.5	6	5
	25	33	4	7	4.5
	25	33	4.5	6	5
	26	32	2.5	4.2	3
	28	36	4.5	6	5
	30	38	5	6.5	6
	31.5	39.5	5	6.5	6
	32	40	4	7	4.5
	32	40	5	6.5	6
	32	40.5	5	6.5	6
	35	43	4	8	4.5
	35	43	5	6.5	6
	35	44	4	6	4.5
	35.5	43.5	5	6.5	6
	36	44	5	6.5	6
	38	46	5	6.5	6
	40	48	5	6.5	6
	40	50	7	9	8
	42	50	4	7	4.5
	44.5	52.5	5.5	7.5	6.5
45	53	4	7	4.5	
45	53	5	6.5	6	
50	58	4	7	4.5	
50	58	5	6.5	6	

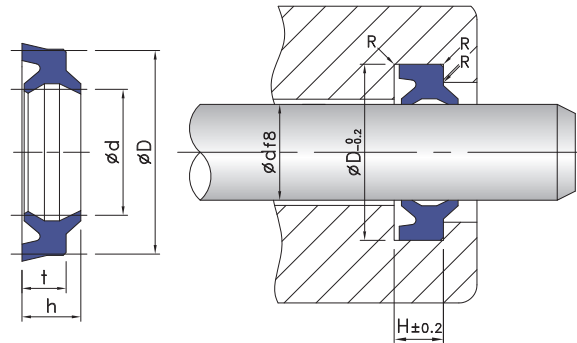
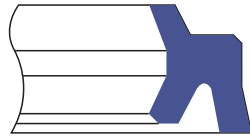
品名	∅d	∅D	t	h	HA
DH	53	61	5	6.5	6
	55	63	4	7	4.5
	55	63	5	6.5	6
	55	65	5	7	6
	56	64	5	6.5	6
	60	68	5	6.5	6
	63	71	5	6.5	6
	65	73	4	7	4.5
	65	73	5	6.5	6
	67	75	5	6.5	6
	70	80	6	8	7
	71	81	6	8	7
	75	85	6	8	7
	80	90	6	8	7
	85	95	6	8	7
	90	100	6	8	7
	95	105	6	8	7
	98	108	6	8	7
	100	110	6	8	7
	104.5	117	5	8.5	6
	105	115	6	8	7
	106	116	6	8	7
	107	117	5	8.5	6
	110	120	6	8	7
	112	122	6	8	7
	115	125	6	8	7
	120	130	6	8	7
	120	130	7	10	8
	120	136	9	12	10
	125	138	7	9.5	8
	130	143	7	9.5	8
	132	145	7	9.5	8
136	149	7	9.5	8	
140	153	7	9.5	8	
140	157	6	10	7	
145	158	7	9.5	8	

品名	∅d	∅D	t	h	HA
DH	150	163	7	9.5	8
	155	168	7	9.5	8
	160	173	7	9.5	8
	160	174	7	9.5	8
	165	178	7	9.5	8
	165	179	7	9.5	8
	170	183	7	9.5	8
	180	193	7	9.5	8
	180	194	7	9.5	8
	190	203	7	9.5	8
	200	213	7	9.5	8
	200	214	7	9.5	8
	204	218	7	9.5	8
	205	215	7	9.5	8
	210	223	7	9.5	8
	220	233	7	9.5	8
	230	244	7	9.5	8
	240	253	7	9.5	8
	250	263	7	9.5	8

品名	∅d	∅D	t	h	HA
DH”	3 7/8	4 1/4		1/4	0.198
	4 11/16	5 1/16		5/16	0.234
	5 7/16	5 13/16		5/16	0.234
	6 3/16	6 9/16		5/16	0.234

往復用防塵密封件

DH-03



材質物性

材質: TPU / 8L953

比重 (ASTM D792): 1.19

硬度 (ASTM D2240): 93

拉力強度 (ASTM D412): 276

100% 模數 (ASTM D412): 100

300% 模數 (ASTM D412): 191

70小時70°C的壓縮變形率

(ASTM D395B): 42

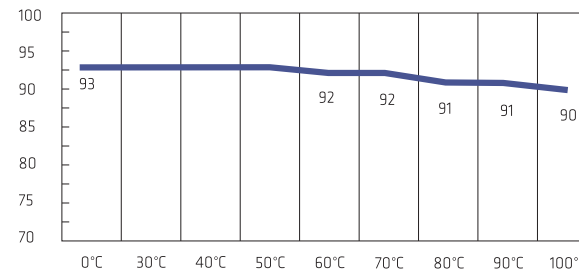
70小時100°C的壓縮變形率

(ASTM D395B): 56

$R \leq 0.3$

活塞桿表面應作0.8~1.6 μ mRmax (0.2~0.4 μ mRa)的拋光

硬度與溫度的關係表 (Shore A)

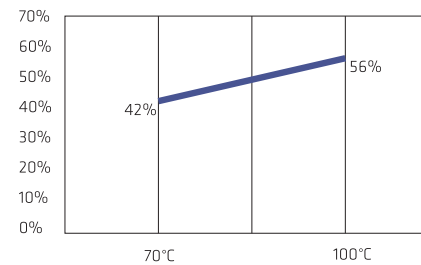


工作條件

工作速度: 0.03 ~ 0.5 m/sec

工作溫度: -20°C ~ 100°C

壓縮變形和溫度的關係表



耐油性

試驗用油: 耐磨耗液壓油46#

試驗溫度 (°C): 100

試驗時間 (小時): 100

硬度變化 (Shore A): 0

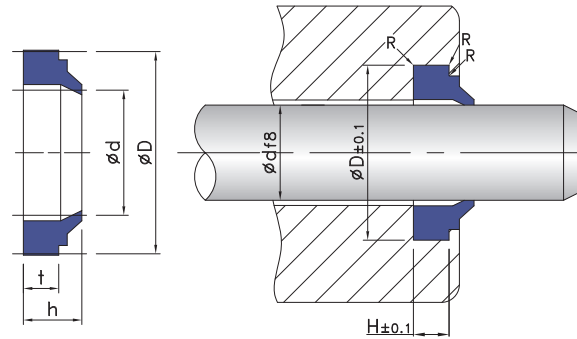
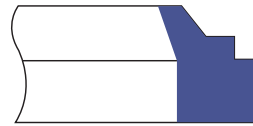
拉力強度變化 (%): -5

品名	Ød	ØD	t	h	HA
DH-03	8	16	4.7	5.9	5.2
	10	16	3.6	4.8	4
	12	18	3.6	4.8	4
	12.5	20.5	4.5	6	5
	13	20	5	6.5	6
	14	20	3.6	4.8	4
	16	22	3.6	4.8	4
	16	24	4.5	6	5
	18	26	4.5	6	5
	20	26	3.6	4.8	4
	20	28	4.5	6	5
	22	30	4.5	6	5
	22.4	30.4	4.5	6	5
	25	31	3.6	4.8	4
	25	33	4.5	6	5
	26	34	4.5	5.8	5
	28	36	4.5	5.8	5
	28	36	4.5	6	5
	30	38	5	6.5	6
	30	40	7	10	8
	32	40	4.5	5.8	5
	35	43	5	6.5	6
	35	45	4.6	8	5
	35.5	43.5	5	6.5	6
	36	44	4.5	5.8	5
	40	48	4.5	5.8	5
	40	48	5	6.5	6
	40	50	4.5	6	5
	40	50	6	7.5	7
	45	53	4.5	6.2	5
	45	53	5	6.5	6
	50	58	3.6	5	4
	50	58	5	6.5	6
	50	63	5	6.5	6
	55	63	5	6.5	6
	56	66	5.3	6.8	6

品名	Ød	ØD	t	h	HA
DH-03	60	68	5	6.5	6
	60	70	5.3	6.8	6
	63	71	5	6.5	6
	65	73	5	6.5	6
	70	80	5.3	6.8	6
	70	80	6	8	7
	75	85	6	8	7
	80	90	5.3	6.8	6
	80	90	6	8	7
	85	95	6	8	7
	90	100	6	8	7
	100	110	6	8	7
	100	115	7.5	9.5	8.5
	112	122	6	8	7
	125	138	7	9.5	8
	125	140	7.5	9.5	8.5

往復用防塵密封件

DH-04



材質物性

材質: TPU / 8L953

比重 (ASTM D792): 1.19

硬度 (ASTM D2240): 93

拉力強度 (ASTM D412): 276

100% 模數 (ASTM D412): 100

300% 模數 (ASTM D412): 191

70小時70°C的壓縮變形率

(ASTM D395B): 42

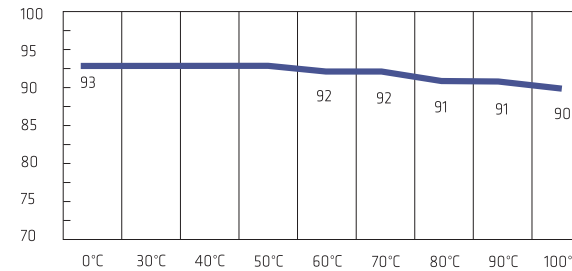
70小時100°C的壓縮變形率

(ASTM D395B): 56

$R \leq 0.3$

活塞桿表面應作0.8~1.6 μ mRmax (0.2~0.4 μ mRa)的拋光

硬度與溫度的關係表 (Shore A)

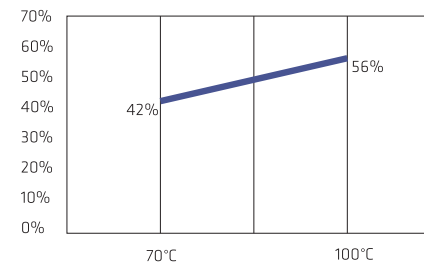


工作條件

工作速度: 0.03 ~ 0.5 m/sec

工作溫度: -20°C ~ 100°C

壓縮變形和溫度的關係表



耐油性

試驗用油: 耐磨耗液壓油46#

試驗溫度 (°C): 100

試驗時間 (小時): 100

硬度變化 (Shore A): 0

拉力強度變化 (%): -5

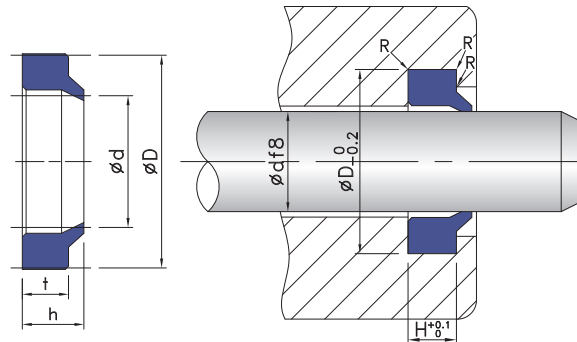
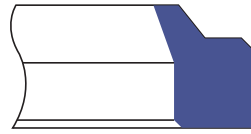
體積變化 (%): +0.12

品名	∅d	∅D	t	h	HA
DH-04	12	18	2.5	5	2.5
	14	20	2.5	5	2.5
	16	24	3.8	7	4
	18	26	3.8	7	4
	18	26	4	7	4
	20	28	4	7	4
	22	30	4	7	4
	25	33	4	7	4
	28	36	4	7	4
	30	38	4	7	4
	32	40	4	7	4
	35	43	4	7	4
	36	44	4	7	4
	38	46	4	7	4
	40	48	4	7	4
	42	50	4	7	4
	45	53	4	7	4
	50	58	4	7	4
	55	63	4	7	4
	60	68	4	7	4
	65	73	4	7	4
	70	78	4	7	4
	75	83	4	7	4
	80	88	4	7	4
	85	93	4	7	4
	90	98	4	7	4
	100	108	4	7	4
105	113	4	7	4	
160	172	5.5	10	5.5	
230	245	6.5	13	6.5	

品名	∅d	∅D	t	h	HA

往復用防塵密封件

DH-05



材質物性

材質: TPU / 8L953

比重 (ASTM D792): 1.19

硬度 (ASTM D2240): 93

拉力強度 (ASTM D412): 276

100% 模數 (ASTM D412): 100

300% 模數 (ASTM D412): 191

70小時70°C的壓縮變形率

(ASTM D395B): 42

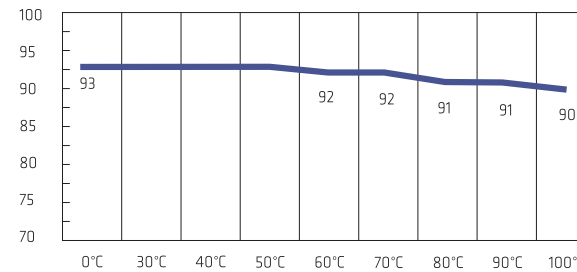
70小時100°C的壓縮變形率

(ASTM D395B): 56

$R \leq 0.3$

活塞桿表面應作0.8~1.6 μ mRmax (0.2~0.4 μ mRa)的拋光

硬度與溫度的關係表 (Shore A)

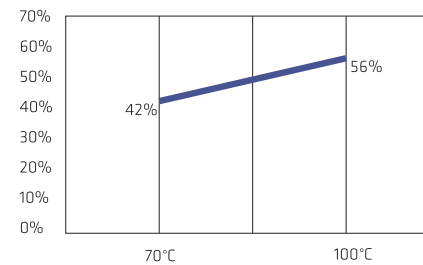


工作條件

工作速度: 0.03 ~ 0.5 m/sec

工作溫度: -20°C ~ 100°C

壓縮變形和溫度的關係表



耐油性

試驗用油: 耐磨耗液壓油46#

試驗溫度 (°C): 100

試驗時間 (小時): 100

硬度變化 (Shore A): 0

拉力強度變化 (%): -5

體積變化 (%): +0.12

品名	Ød	ØD	t	h	HA
DH-05	18	25	3.8	5.2	4
	18	26	4	7	4.3
	18	28	4	7	4.3
	18	28.5	6	8.4	6.3
	18	30	6	6.5	6.3
	19	26	2.5	4	2.8
	20	28	5	7	5.3
	25	33	3	5	3.3
	28	36	5	7	5.3
	30	38	5	7	5.3
	30	38.6	4.5	6.5	4.8
	32	40	3.7	6.5	4
	33	40.6	1.6	3	2
	35	43	5	7	5.3
	35	43.6	4.5	6.5	4.8
	36	44	5	7	5.3
	37	45	5	6.5	5.3
	38	46	2.5	4	2.8
	40	48.6	4.5	6.5	4.8
	40	50	5	7	5.3
	42	50	5	7	5.3
	50	58	5	6.5	5.3
	50	60	5	7	5.3
	50	60.6	4.5	6.5	4.8
	50.8	63.5	4.5	7.7	4.8
	50.8	63.5	6.35	9.52	6.5
	55	65	5	7	5.3
	60	68	5	7	5.3
	63	71	5	6.5	5.3
	76.2	88.9	6.4	10	6.5
	78	86	5	7	5.3
	80	88.6	5	7	5.3
	86.5	101.5	6.5	10.3	6.5
	97	105	5	7	5.3
	100	112	7	12	7.1
	105	118	7	12	7.1

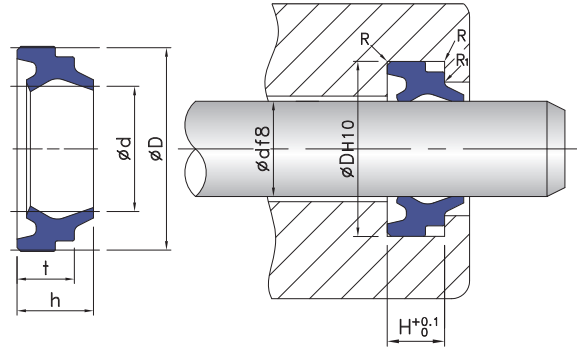
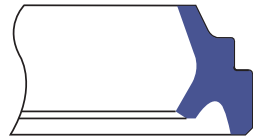
品名	Ød	ØD	t	h	HA
DH-05	110	126	6.5	12	6.8
	111	126	6.5	10.3	6.8
	115	126	5.2	8	5.5
	118	126	5	7	5.3
	124	139	6.5	10.3	6.8
	125	141	6.5	12	6.8
	135	147	7	12	7.1
	143	151	5	7	5.3
	150	169	7	11	7.1
	160	180	6.5	12	6.8
	163	175.2	7	10	7.1
	171	179	5	7	5.3
	180	200	6.5	12	6.8
	200	215	10	16	10.2
	200	220	6.5	12	6.8
	240	260	12	17	12.1
	260	275.2	9.8	15	10
	266.3	307.2	10.4	24.6	10.5

品名	∅d	∅D	t	h	HA
DH-05"	3 1/2	4 1/8		5/16	0.198
	4 3/8	5		5/16	0.198
	5 1/4	5 7/8		5/16	0.198
	6 3/8	7		5/16	0.198

品名	∅d	∅D	t	h	HA

往復用防塵密封件

DH-07



材質物性

材質: TPU / 8L953

比重 (ASTM D792): 1.19

硬度 (ASTM D2240): 93

拉力強度 (ASTM D412): 276

100% 模數 (ASTM D412): 100

300% 模數 (ASTM D412): 191

70小時70°C的壓縮變形率

(ASTM D395B): 42

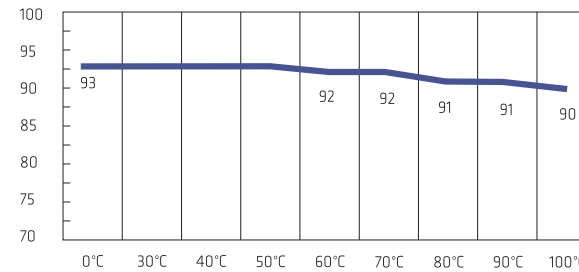
70小時100°C的壓縮變形率

(ASTM D395B): 56

$R \leq 0.3, R1=0.5$

活塞桿表面應作0.8~1.6 μ mRmax (0.2~0.4 μ mRa)的拋光

硬度與溫度的關係表 (Shore A)

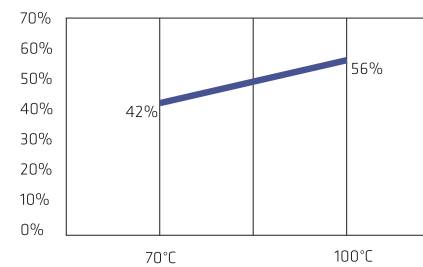


工作條件

工作速度: 0.03 ~ 0.5 m/sec

工作溫度: -20°C ~ 100°C

壓縮變形和溫度的關係表



耐油性

試驗用油: 耐磨耗液壓油46#

試驗溫度 (°C): 100

試驗時間 (小時): 100

硬度變化 (Shore A): 0

拉力強度變化 (%): -5

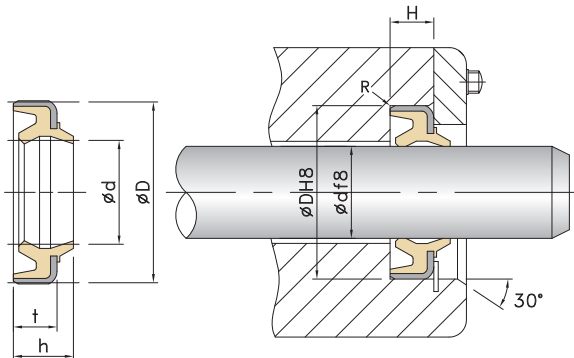
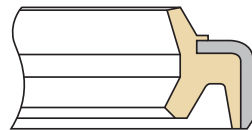
體積變化 (%): +0.12



DingZing DZ® 往復用 金屬骨架防塵密封件

鼎基提供 7 款往復用金屬骨架防塵密封件：ME-1、ME-1N、ME-2、ME-3、ME-4、ME-5，以及 ME-8。這些防塵密封件質地堅硬，耐磨性高，並能有效防止液壓缸上聚積灰塵和污垢。

ME-1



$R \leq 0.3$

活塞桿表面應作 $0.8 \sim 1.6 \mu \text{mRmax}$ ($0.2 \sim 0.4 \mu \text{mRa}$)的拋光

材質物性

材質: TPU / 8L95 + SPCC

比重 (ASTM D792): 1.20

硬度 (ASTM D2240): 95

拉力強度 (ASTM D412): 317

100% 模數 (ASTM D412): 110

300% 模數 (ASTM D412): 170

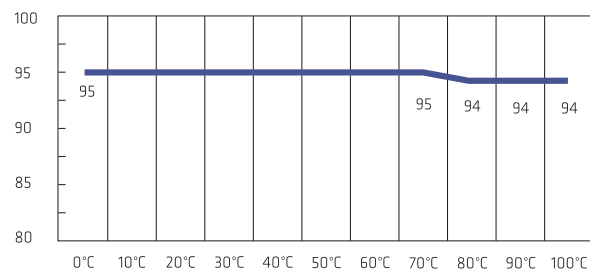
70小時70°C的壓縮變形率

(ASTM D395B): 34

70小時100°C的壓縮變形率

(ASTM D395B): 56

硬度與溫度的關係表 (Shore A)

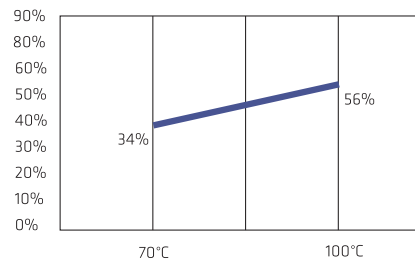


工作條件

工作速度: 0.03 ~ 0.5 m/sec

工作溫度: -20°C ~ 100°C

壓縮變形和溫度的關係表



耐油性

試驗用油: 耐磨耗液壓油46#

試驗溫度 (°C): 100

試驗時間 (小時): 100

硬度變化 (Shore A): -1

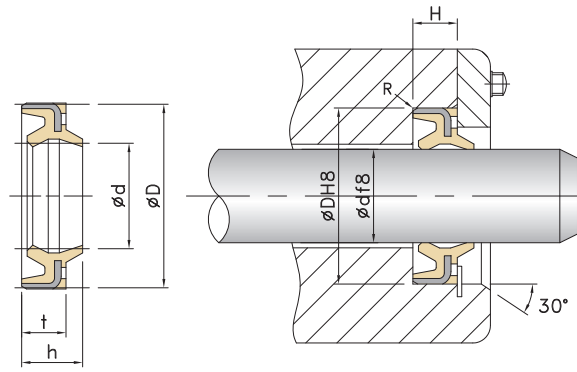
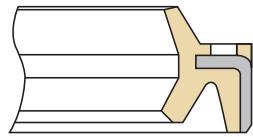
拉力強度變化 (%): -4

體積變化 (%): +0.08

品名	∅d	∅D	t	h	HA
ME-1	10	20	5	7	5
	16	26	5	7	5
	18	30	6	9	5
	19	26	5	7	5
	20	32	6	9	6
	22	32	6	9	6
	22	34	6	9	6
	25	37	6	9	6
	30	42	6	9	6
	32	52	8	11	8
	34	46	7	10	7
	35	47	7	10	7
	35	55	7	10	7
	40	52	7	10	7
	40	60	7	10	7
	45	55	7	10	7
	45	57	7	10	7
	45	65	7	10	7
	50	62	7	10	7
	50	65	7	10	7
	55	65	7	10	7
	55	69	8	11	8
	55	75	7	10	7
	60	70	5	7	5
	60	70	7	10	7
	60	74	8	11	8
	65	79	8	11	8
	65	85	7	10	7
	70	80	7	10	7
	70	82	7	10	7
70	84	8	11	8	
70	85	7	10	7	
75	89	8	11	8	
75	95	7	10	7	
80	94	8	11	8	
85	95	7	10	7	

品名	∅d	∅D	t	h	HA
ME-1	85	99	8	11	8
	90	104	8	11	8
	95	109	8	11	8
	100	114	8	11	8
	105	121	9	12	9
	110	126	9	12	9
	115	131	9	12	9
	120	136	9	12	9
	125	141	9	12	9
	130	146	9	12	9
	140	160	10	14	10
	150	170	10	14	10
	160	180	10	14	10
	170	190	10	14	10
	180	200	10	14	10
	190	205	9	12	9
	200	216	8	11	8
	200	225	12	17	12
	200	235	12	17	12
	220	245	12	17	12
	230	255	12	17	12
	236	261	12	17	12
	240	260	10	14	10
	240	265	12	17	12
	250	275	12	17	12
	260	285	12	17	12
	300	330	16	22	16

ME-1N



$R \leq 0.3$

活塞桿表面應作 $0.8 \sim 1.6 \mu \text{mRmax}$ ($0.2 \sim 0.4 \mu \text{mRa}$)的拋光

材質物性

材質: TPU / 8L95 + SPCC

比重 (ASTM D792): 1.20

硬度 (ASTM D2240): 95

拉力強度 (ASTM D412): 317

100% 模數 (ASTM D412): 110

300% 模數 (ASTM D412): 170

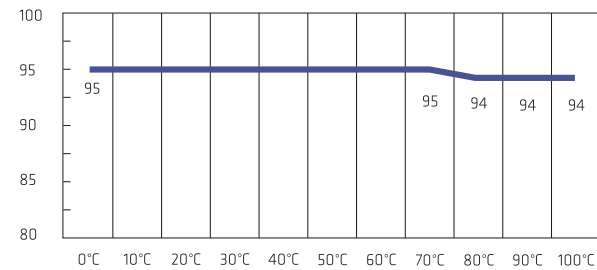
70小時 70°C 的壓縮變形率

(ASTM D395B): 34

70小時 100°C 的壓縮變形率

(ASTM D395B): 56

硬度與溫度的關係表 (Shore A)

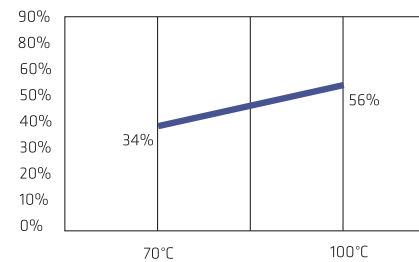


工作條件

工作速度: 0.03 ~ 0.5 m/sec

工作溫度: -20°C ~ 100°C

壓縮變形和溫度的關係表



耐油性

試驗用油: 耐磨耗液壓油46#

試驗溫度 ($^{\circ}\text{C}$): 100

試驗時間 (小時): 100

硬度變化 (Shore A): -1

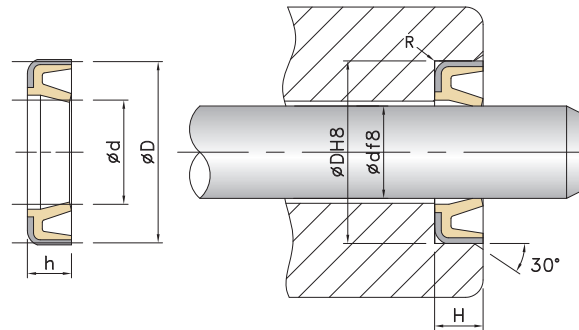
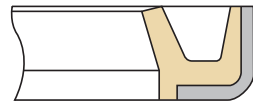
拉力強度變化 (%): -4

體積變化 (%): +0.08

品名	Ød	ØD	t	h	HA
ME-1N	25	37	6	9	6
	30	42	6	9	6
	35	47	7	10	7
	40	52	7	10	7
	45	57	7	10	7
	50	62	7	10	7
	50	62	8	12	8
	55	69	8	12	8
	60	74	8	12	8
	65	79	8	12	8
	70	84	8	12	8
	75	89	8	12	8
	80	94	8	12	8
	85	99	8	12	8
	90	104	8	12	8
	95	109	8	12	8
	100	114	8	12	8
	105	121	9	12.5	9
	110	126	9	12.5	9
	115	131	9	12.5	9
	120	136	9	12.5	9
	125	141	9	12.5	9
	130	146	9	12.5	9
	135	150	8	11	8
	140	160	10	14.5	10
	150	170	10	14.5	10
	160	180	10	14.5	10
	165	185	10	14.5	10
	170	190	10	14.5	10
	175	190	10	14.5	10

品名	Ød	ØD	t	h	HA

ME-2



材質物性

材質: TPU / 8L95 + SPCC

比重 (ASTM D792): 1.20

硬度 (ASTM D2240): 95

拉力強度 (ASTM D412): 317

100% 模數 (ASTM D412): 110

300% 模數 (ASTM D412): 170

70小時70°C的壓縮變形率

(ASTM D395B): 34

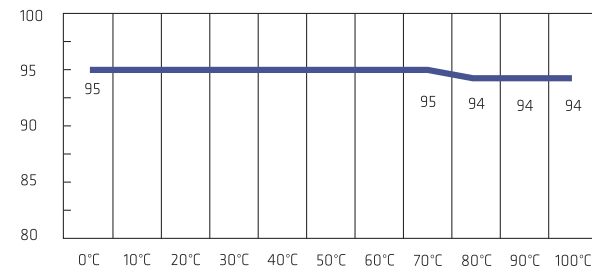
70小時100°C的壓縮變形率

(ASTM D395B): 56

$R \leq 0.3$

活塞桿表面應作0.8~1.6 μ mRmax (0.2~0.4 μ mRa)的拋光

硬度與溫度的關係表 (Shore A)

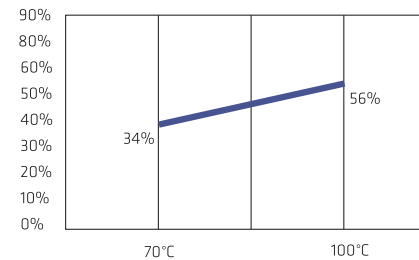


工作條件

工作速度: 0.03 ~ 0.5 m/sec

工作溫度: -20°C ~ 100°C

壓縮變形和溫度的關係表



耐油性

試驗用油: 耐磨耗液壓油46#

試驗溫度 (°C): 100

試驗時間 (小時): 100

硬度變化 (Shore A): -1

拉力強度變化 (%): -4

體積變化 (%): +0.08

品名	∅d	∅D	h	HA
ME-2	19	27	4.5	4.5
	20	28	5	5
	25	32	5	5
	25	32	7	7
	25	38	7.5	7.5
	28	42	7	7
	30	40	3.2	3.2
	30	40	4	4
	30	42	7	7
	30	43	7.5	7.5
	35	45	3.2	3.2
	35	47	7	7
	36	46	7	7
	38	57	9.5	9.5
	40	50	3.2	3.2
	40	50	4	4
	40	50	5	5
	40	52	7	7
	45	55	3.2	3.2
	45	57	7	7
	45	60	9	9
	50	58	5	5
	50	60	3.2	3.2
	50	60	5	5
	50	60	7	7
	50	62	7	7
	50	64	8	8
	50	65	7	7
	55	65	3.2	3.2
	55	65	5	5
	55	68	6	6
	55	69	8	8
55	70	7	7	
56	68	7	7	
60	70	5	5	
60	70	7	7	

品名	∅d	∅D	h	HA
ME-2	60	70	8	8
	60	73	8	8
	60	74	8	8
	60	75	7	7
	63	78	9	9
	65	75	5	5
	65	75	6	6
	65	75	7	7
	65	79	8	8
	65	80	7	7
	70	80	4	4
	70	80	7	7
	70	84	8	8
	70	85	7	7
	75	89	8	8
	80	90	7	7
	80	93	8	8
	80	94	8	8
	80	95	7	7
	80	100	7	7
	80	100	10	10
	85	99	8	8
	90	100	5	5
	90	100	7	7
	90	104	8	8
	90	110	4	4
	90	110	7	7
	95	109	8	8
	95	110	4	4
	95	110	7	7
	100	110	7	7
	100	114	8	8
100	115	7	7	
100	115	9	9	
105	115	7	7	
105	120	8	8	

品名	Ød	ØD	h	HA
ME-2	110	125	4	4
	110	125	9	9
	120	130	7	7
	120	135	7	7
	120	135	8	8
	120	136	9	9
	120	140	10	10
	120	148	8	8
	130	145	7.5	7.5
	130	150	10	10
	130	150	11	11
	130	154	8	8
	140	160	10	10
	140	164	8	8
	150	165	7	7
	160	175	7	7
	160	184	8	8

品名	Ød	ØD	h	HA

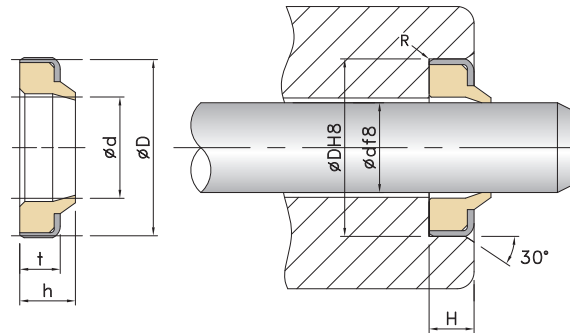
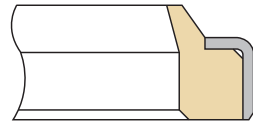
品名	∅d	∅D	h	HA
ME-2"	3/4	1	1/8	0.125
	3/4	1 1/4	1/4	0.25
	5/8	1 1/8	5/16	0.313
	7/8	1 1/8	5/32	0.156
	7/8	1 3/8	5/16	0.313
	1	1 1/2	5/16	0.313
	1	1 1/4	5/16	0.313
	1	1 3/8	3/16	0.187
	1 1/2	1 7/8	1/4	0.25
	1 1/2	1 7/8	3/16	0.187
	1 1/2	2	1/4	0.25
	1 1/2	2	3/8	0.375
	1 1/2	2	5/16	0.313
	1 1/2	2 1/4	3/8	0.375
	1 1/2	2 1/4	5/16	0.313
	1 1/2	2 1/8	1/4	0.25
	1 1/2	2 1/8	5/16	0.313
	1 1/4	1 3/4	1/4	0.25
	1 1/4	1 3/4	5/16	0.313
	1 1/4	1 5/8	1/8	0.125
	1 1/4	1 5/8	3/16	0.187
	1 1/8	1 1/2	3/16	0.187
	1 1/8	1 5/8	5/16	0.313
	1 3/4	2 1/2	3/8	0.375
	1 3/4	2 1/4	1/4	0.25
	1 3/4	2 1/4	3/16	0.187
	1 3/4	2 1/4	5/16	0.313
	1 3/4	2 1/8	1/8	0.125
	1 3/4	2 3/4	3/8	0.375
	1 3/4	2 7/16	3/8	0.375
	1 3/8	1 7/8	5/16	0.313
	1 5/8	2 1/8	1/4	0.25
	1 7/8	2 1/2	3/8	0.375
	1 7/8	2 3/8	5/16	0.313
	1 7/8	2 9/16	3/8	0.375
	2	2 1/2	1/4	0.25

品名	∅d	∅D	h	HA
ME-2"	2	2 1/2	3/16	0.187
	2	2 1/2	5/16	0.313
	2	2 3/4	1/4	0.25
	2	2 3/4	3/8	0.375
	2	2 3/8	1/4	0.25
	2	2 3/8	3/16	0.187
	2	2 5/8	1/4	0.25
	2	2 11/16	3/8	0.375
	2 1/2	2 7/8	3/16	0.187
	2 1/2	3	1/4	0.25
	2 1/2	3	3/16	0.187
	2 1/2	3	5/16	0.313
	2 1/2	3 1/4	1/4	0.25
	2 1/2	3 1/4	3/8	0.375
	2 1/2	3 1/4	5/16	0.313
	2 1/2	3 1/8	1/4	0.25
	2 1/2	3 9/16	5/16	0.313
	2 1/4	2 3/4	1/4	0.25
	2 1/4	2 3/4	3/16	0.187
	2 1/4	2 3/4	5/16	0.187
	2 1/4	2 7/8	1/4	0.25
	2 1/4	3	1/4	0.25
	2 1/4	3	3/8	0.375
	2 1/4	3	5/16	0.313
	2 1/4	3 1/4	1/2	0.5
	2 1/8	2 1/2	1/8	0.125
	2 1/8	2 1/2	3/16	0.187
	2 1/8	2 3/4	5/16	0.313
	2 1/8	2 5/8	5/16	0.313
	2 1/8	2 7/8	3/8	0.375
	2 1/8	2 7/8	7/16	0.438
	2 3/4	3 1/2	3/8	0.125
	2 3/4	3 1/4	3/8	0.125
	2 3/4	3 1/4	5/16	0.313
	2 3/4	3 1/8	3/16	0.187
	2 3/4	3 3/4	1/2	0.5

品名	∅d	∅D	h	HA
ME-2"	2 3/8	2 7/8	1/4	0.25
	2 3/8	2 7/8	5/16	0.313
	2 3/8	3 1/8	3/8	0.125
	2 5/16	3 1/8	3/8	0.125
	2 5/8	3 1/4	3/8	0.125
	2 5/8	3 1/8	1/4	0.25
	2 7/8	3 1/2	1/4	0.25
	3	3 1/2	5/16	0.313
	3	3 3/4	1/2	0.5
	3	3 3/4	1/4	0.25
	3	3 3/4	3/8	0.125
	3	3 3/4	5/16	0.313
	3	3 3/8	3/16	0.187
	3	4	1/2	0.5
	3 1/2	3 3/4	5/16	0.313
	3 1/2	4	1/2	0.5
	3 1/2	4	5/16	0.313
	3 1/2	4 1/2	1/2	0.5
	3 1/2	4 1/4	1/4	0.25
	3 1/2	4 1/4	5/16	0.313
	3 1/2	4 1/8	1/4	0.25
	3 1/2	4 1/8	5/16	0.313
	3 1/4	3 3/4	1/4	0.25
	3 1/4	3 3/4	3/8	0.125
	3 1/4	3 3/4	5/16	0.313
	3 1/4	3 7/8	5/16	0.313
	3 1/4	4	1/4	0.25
	3 1/4	4 1/4	1/2	0.5
	3 1/8	3 3/4	3/8	0.125
	3 1/8	3 3/4	5/16	0.313
	3 1/8	3 5/8	3/16	0.187
	3 3/4	4 1/2	5/16	0.313
	3 3/4	4 3/4	1/2	0.5
	3 3/4	4 3/8	5/16	0.313
	3 3/8	3 3/4	3/8	0.125
	3 3/8	4	5/16	0.313

品名	∅d	∅D	h	HA
ME-2"	3 3/8	4 3/8	3/8	0.125
	3 5/8	4 1/2	1/2	0.5
	4	4 1/2	1/4	0.25
	4	4 3/4	5/16	0.313
	4	4 5/8	5/16	0.313
	4	5	1/2	0.5
	4 1/2	5	1/4	0.25
	4 1/2	5 1/2	1/2	0.5
	4 1/2	5 1/4	5/16	0.313
	4 1/2	5 1/8	5/16	0.313
	4 1/4	5	1/2	0.5
	4 1/4	5 1/4	1/2	0.5
	4 1/8	4 3/4	5/16	0.313
	4 3/4	5 3/4	1/2	0.5
	4 3/4	5 3/4	3/8	0.125
	4 3/4	5 3/8	5/16	0.313
	4 3/8	5	5/16	0.313
	4 3/8	5 3/8	3/8	0.125
	5	5 3/4	5/16	0.313
	5	5 5/8	5/16	0.313
	5 1/2	6 1/4	5/16	0.313
	5 1/2	6 1/8	3/8	0.125
	5 1/2	7 3/8	7/16	0.438
	5 1/4	6	5/16	0.313
	5 3/4	6 3/4	1/2	0.5
	5 3/4	6 3/8	3/8	0.125
	6	6 5/8	3/8	0.125
	6 3/4	7 3/8	3/8	0.125
	7	7 3/4	5/16	0.313
	9	9 3/4	9/16	0.563

ME-3



材質物性

材質: TPU / 8L95 + SPCC

比重 (ASTM D792): 1.20

硬度 (ASTM D2240): 95

拉力強度 (ASTM D412): 317

100% 模數 (ASTM D412): 110

300% 模數 (ASTM D412): 170

70小時70°C的壓縮變形率

(ASTM D395B): 34

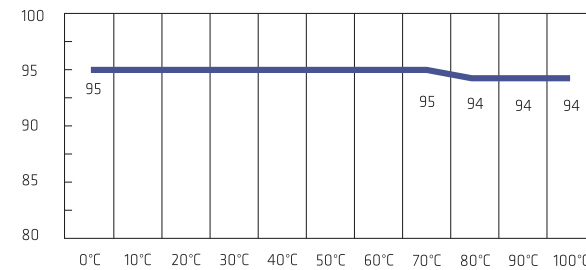
70小時100°C的壓縮變形率

(ASTM D395B): 56

$R \geq 0.3$

活塞桿表面應作0.8~1.6 μ mRmax (0.2~0.4 μ mRa)的拋光

硬度與溫度的關係表 (Shore A)

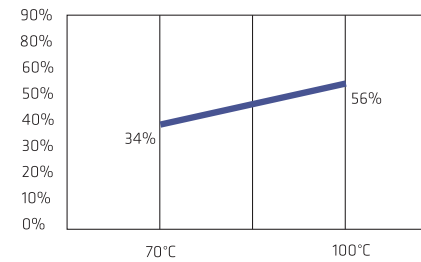


工作條件

工作速度: 0.03 ~ 0.5 m/sec

工作溫度: -20°C ~ 100°C

壓縮變形和溫度的關係表



耐油性

試驗用油: 耐磨耗液壓油46#

試驗溫度 (°C): 100

試驗時間 (小時): 100

硬度變化 (Shore A): -1

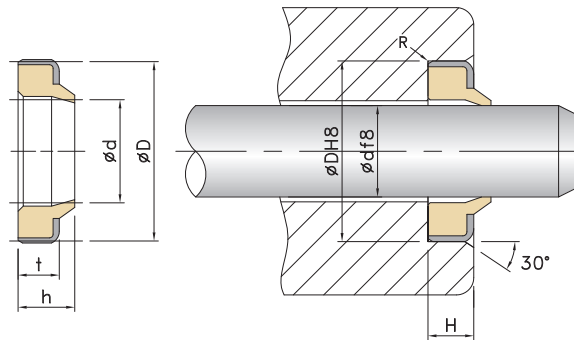
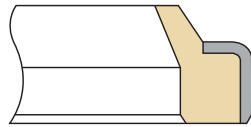
拉力強度變化 (%): -4

體積變化 (%): +0.08

品名	∅d	∅D	t	h	HA
ME-3	6.3	16	5	7	5
	10	20	5	7	5
	11.2	21	5	7	5
	12	18	3.5	5	3.5
	12.5	23	5	7	5
	14	24	5	7	5
	15	25	5	7	5
	16	26	5	7	5
	18	28	5	7	5
	18	28	7	10	7
	18	30	6	9	6
	20	30	5	7	5
	20	32	6	9	6
	22.4	34.4	6	9	6
	25	35	5	7	5
	25	35	6	7	6
	25	37	6	9	6
	27	39	6	9	6
	28	40	6	9	6
	30	40	5	7	5
	30	42	6	9	6
	30	45	7	10	7
	31.5	44	7	10	7
	31.75	41.28	4.75	7.14	4.75
	32	44	7	10	7
	35	47	7	10	7
	35.5	47.5	7	10	7
	38	50	7	10	7
	38.1	47.63	4.75	7.14	4.75
	40	52	7	10	7
42	52	5	7	5	
45	57	7	10	7	
50	60	7	10	7	
50	62	7	10	7	
53	67	8	11	8	
55	69	8	11	8	

品名	∅d	∅D	t	h	HA
ME-3	56	70	8	11	8
	57.15	66.67	4.75	7.14	4.75
	60	74	8	11	8
	63	77	8	11	8
	64	78	8	11	8
	65	79	8	11	8
	67	81	8	11	8
	70	84	8	11	8
	71	85	8	11	8
	75	89	8	11	8
	76.2	85.72	4.75	7.14	4.75
	80	94	8	11	8
	85	99	8	11	8
	90	104	8	11	8
	95	109	8	11	8
	100	114	8	11	8
	105	121	9	12	9
	110	126	9	12	9
	115	131	9	12	9
	120	136	9	12	9
	125	140	9	12	9
	125	141	9	12	9
	140	160	10	14	10
	150	170	10	14	10
	160	180	10	14	10
	170	190	10	14	10
	175	195	10	14	10
	180	205	12	17	12

ME-4



材質物性

材質: TPU / 8L95 + SPCC

比重 (ASTM D792): 1.20

硬度 (ASTM D2240): 95

拉力強度 (ASTM D412): 317

100% 模數 (ASTM D412): 110

300% 模數 (ASTM D412): 170

70小時70°C的壓縮變形率

(ASTM D395B): 34

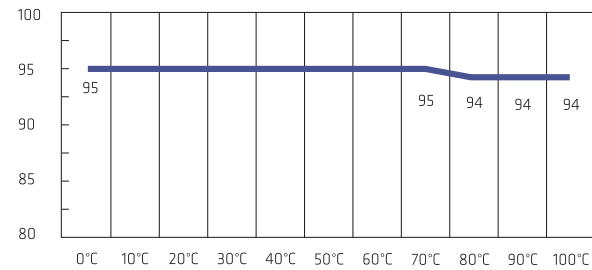
70小時100°C的壓縮變形率

(ASTM D395B): 56

$R \leq 0.3$

活塞桿表面應作0.8~1.6 μ mRmax (0.2~0.4 μ mRa)的拋光

硬度與溫度的關係表 (Shore A)

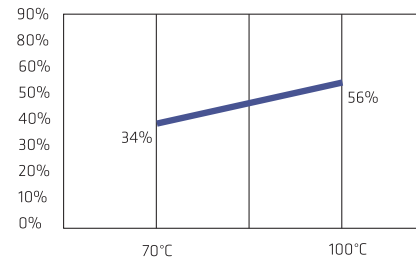


工作條件

工作速度: 0.03 ~ 0.5 m/sec

工作溫度: -20°C ~ 100°C

壓縮變形和溫度的關係表



耐油性

試驗用油: 耐磨耗液壓油46#

試驗溫度 (°C): 100

試驗時間 (小時): 100

硬度變化 (Shore A): -1

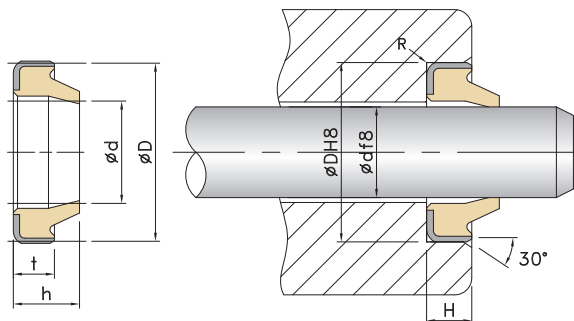
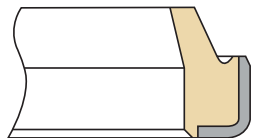
拉力強度變化 (%): -4

體積變化 (%): +0.08

品名	∅d	∅D	t	h	HA
ME-4	10	16	3.5	5	3.5
	13	19	4	4.5	4
	16	22	3	4	3
	20	28	3.5	5	3.5
	20	30	7	10	7
	25	32	7	10	7
	25	35	7	10	7
	25.4	34.93	4.75	7.14	4.75
	31.75	41.28	4.75	7.14	4.75
	32	40	4	7	4
	32	45	7	10	7
	38	48	7	10	7
	38.1	47.63	4.75	7.14	4.75
	40	50	7	10	7
	45	55	7	10	7
	45	60	7	10	7
	50	60	7	10	7
	50.8	60.33	4.75	7.14	4.75
	55	65	5	7	5
	60	70	7	10	7
	63	75	7	10	7
	65	75	7	10	7
	70	80	7	10	7
	75	85	7	10	7
	80	90	7	10	7
	90	100	7	10	7
	100	110	7	10	7
	100	115	8	10	8
	110	120	7	10	7
	120	130	7	10	7
120	132	5.5	8	5.5	
125	140	9	12	9	

品名	∅d	∅D	t	h	HA

ME-5



材質物性

材質: TPU / 8L95 + SPCC

比重 (ASTM D792): 1.20

硬度 (ASTM D2240): 95

拉力強度 (ASTM D412): 317

100% 模數 (ASTM D412): 110

300% 模數 (ASTM D412): 170

70小時70°C的壓縮變形率

(ASTM D395B): 34

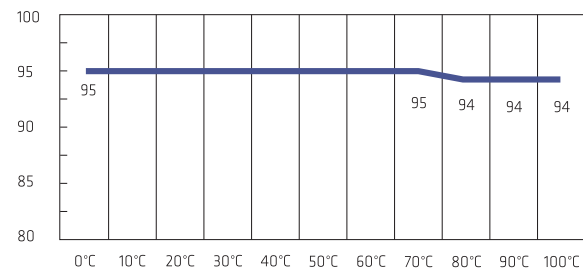
70小時100°C的壓縮變形率

(ASTM D395B): 56

$R \leq 0.3$

活塞桿表面應作0.8~1.6 μ mRmax (0.2~0.4 μ mRa)的拋光

硬度與溫度的關係表 (Shore A)

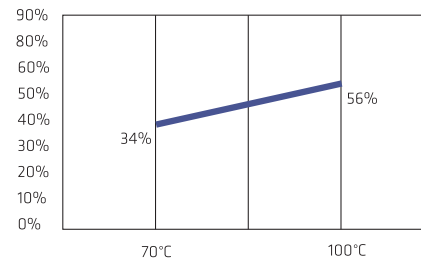


工作條件

工作速度: 0.03 ~ 0.5 m/sec

工作溫度: -20°C ~ 100°C

壓縮變形和溫度的關係表



耐油性

試驗用油: 耐磨耗液壓油46#

試驗溫度 (°C): 100

試驗時間 (小時): 100

硬度變化 (Shore A): -1

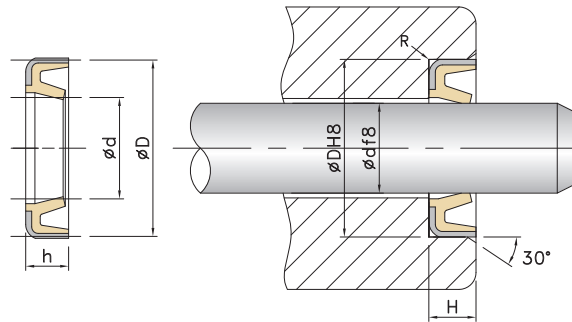
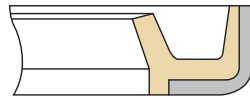
拉力強度變化 (%): -4

體積變化 (%): +0.08

品名	Ød	ØD	t	h	HA	
ME-5	8	14	3.5	5	3.5	
	25.4	34.93	4.75	7.14	4.75	
	31.75	41.28	4.75	7.14	4.75	
	36	48	7	10	7	
	38.1	47.63	4.75	7.14	4.75	
	55	65	5	7	5	
	55	69	8	13	8	
	60	74	8	13	8	
	65	75	5	7	5	
	65	79	8	13	8	
	70	84	8	13	8	
	75	83	7	10	7	
	75	89	8	13	8	
	76.2	85.72	4.75	7.14	4.75	
	80	94	8	13	8	
	85	99	8	13	8	
	90	104	8	13	8	
	95	109	8	13	8	
	100	114	8	13	8	
	105	121	9	15	9	
	110	126	9	15	9	
	115	131	9	15	9	
	120	136	9	15	9	
	125	140	9	12	9	
	130	146	9	15	9	
	140	155	9	12	9	
	280	310	16	22	16	

品名	Ød	ØD	t	h	HA

ME-8



材質物性

材質: TPU / 8L95 + SPCC

比重 (ASTM D792): 1.20

硬度 (ASTM D2240): 95

拉力強度 (ASTM D412): 317

100% 模數 (ASTM D412): 110

300% 模數 (ASTM D412): 170

70小時70°C的壓縮變形率

(ASTM D395B): 34

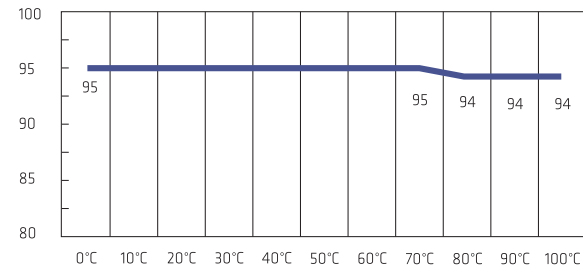
70小時100°C的壓縮變形率

(ASTM D395B): 56

$R \leq 0.3$

活塞桿表面應作0.8~1.6 μ mRmax (0.2~0.4 μ mRa)的拋光

硬度與溫度的關係表 (Shore A)

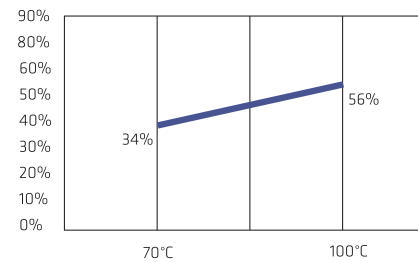


工作條件

工作速度: 0.03 ~ 0.5 m/sec

工作溫度: -20°C ~ 100°C

壓縮變形和溫度的關係表



耐油性

試驗用油: 耐磨耗液壓油46#

試驗溫度 (°C): 100

試驗時間 (小時): 100

硬度變化 (Shore A): -1

拉力強度變化 (%): -4

體積變化 (%): +0.08

品名	∅d	∅D	h	HA
ME-8	50	65	5	5
	50	72	8	8
	55	70	5	5
	60	75	5	5
	60	75	6	6
	60	75	8	8
	65	80	5	5
	65	80	6	6
	65	80	8	8
	70	80	4.5	4.5
	70	85	5	5
	70	85	6	6
	70	85	8	8
	70	90	5	5
	71	86	5	5
	75	85	5	5
	75	90	5	5
	75	90	8	8
	80	90	4.5	4.5
	80	95	5	5
	80	95	6	6
	80	95	8	8
	85	95	5	5
	85	100	5	5
	85	100	6	6
	85	100	8	8
	90	105	5	5
	90	105	6	6
	90	105	8	8
	90	105	10	10
	90	106	6	6
	90	106	8	8
90	110	5	5	
90	110	8	8	
95	110	6	6	
95	110	8	8	

品名	∅d	∅D	h	HA
ME-8	100	110	4.5	4.5
	100	115	5	5
	100	115	6	6
	100	115	7	7
	100	115	8	8
	100	116	6	6
	100	116	8	8
	100	125	6	6
	100	125	8	8
	105	120	5	5
	105	120	7	7
	110	125	5	5
	110	125	6	6
	110	125	7	7
	110	125	8	8
	110	130	8	8
	110	130	10	10
	110	135	8	8
	115	130	5	5
	115	130	8	8
	115	135	8	8
	120	135	5	5
	120	140	8	8
	125	140	8	8
	125	145	10	10
	130	145	7	7
	130	150	7	7
	130	150	9	9
	130	155	7	7
	130	155	8	8
	130	155	10	10
	130	160	6	6
130	160	8	8	
135	160	8	8	
140	155	8	8	
140	160	6	6	

品名	Ød	ØD	h	HA
ME-8	140	160	8	8
	140	170	8	8
	160	180	8	8
	180	200	8	8

品名	Ød	ØD	h	HA

